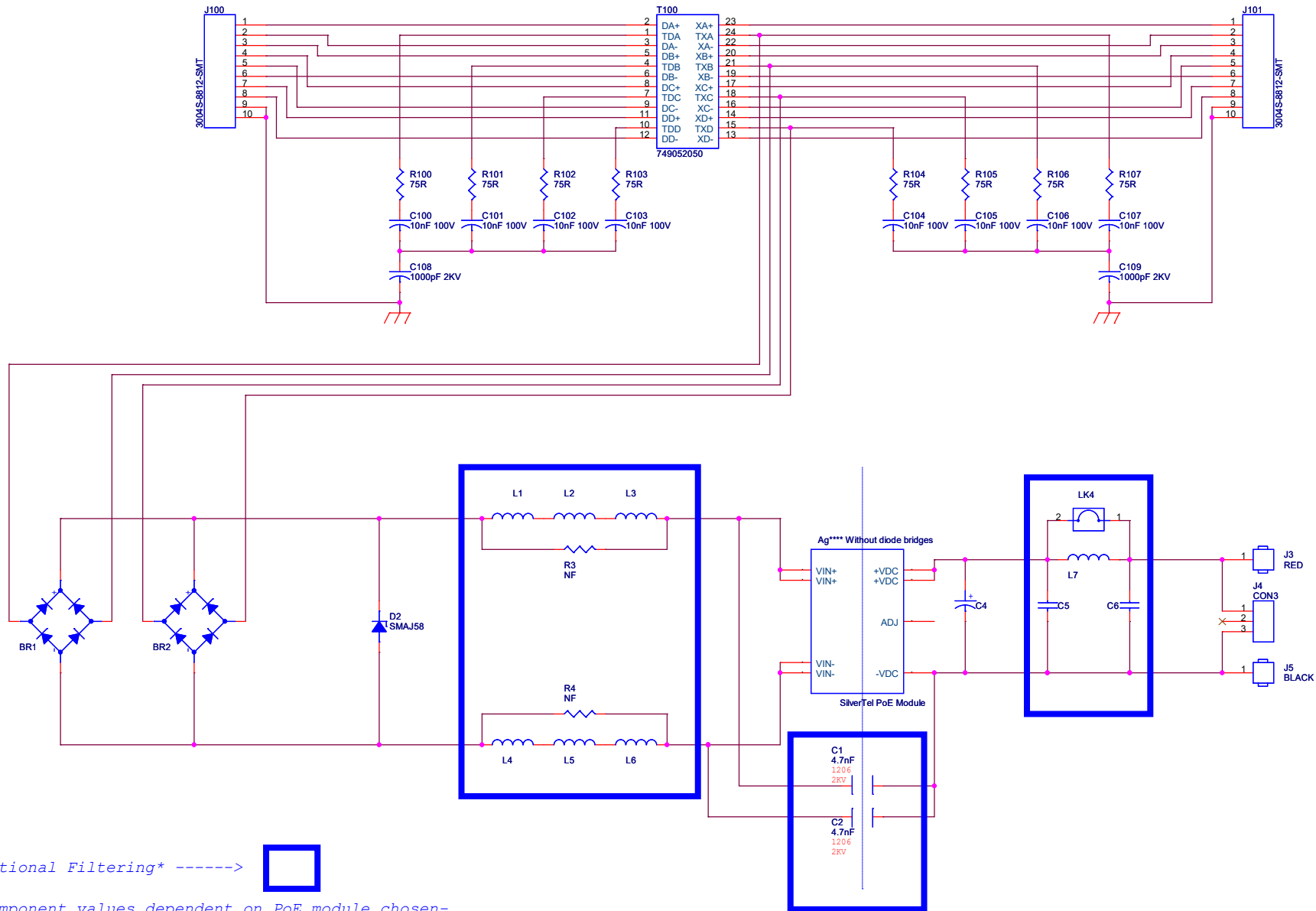


Typical PoE Reference Circuit

SilverTel Module Without Diode Bridges



Optional Filtering* ----->

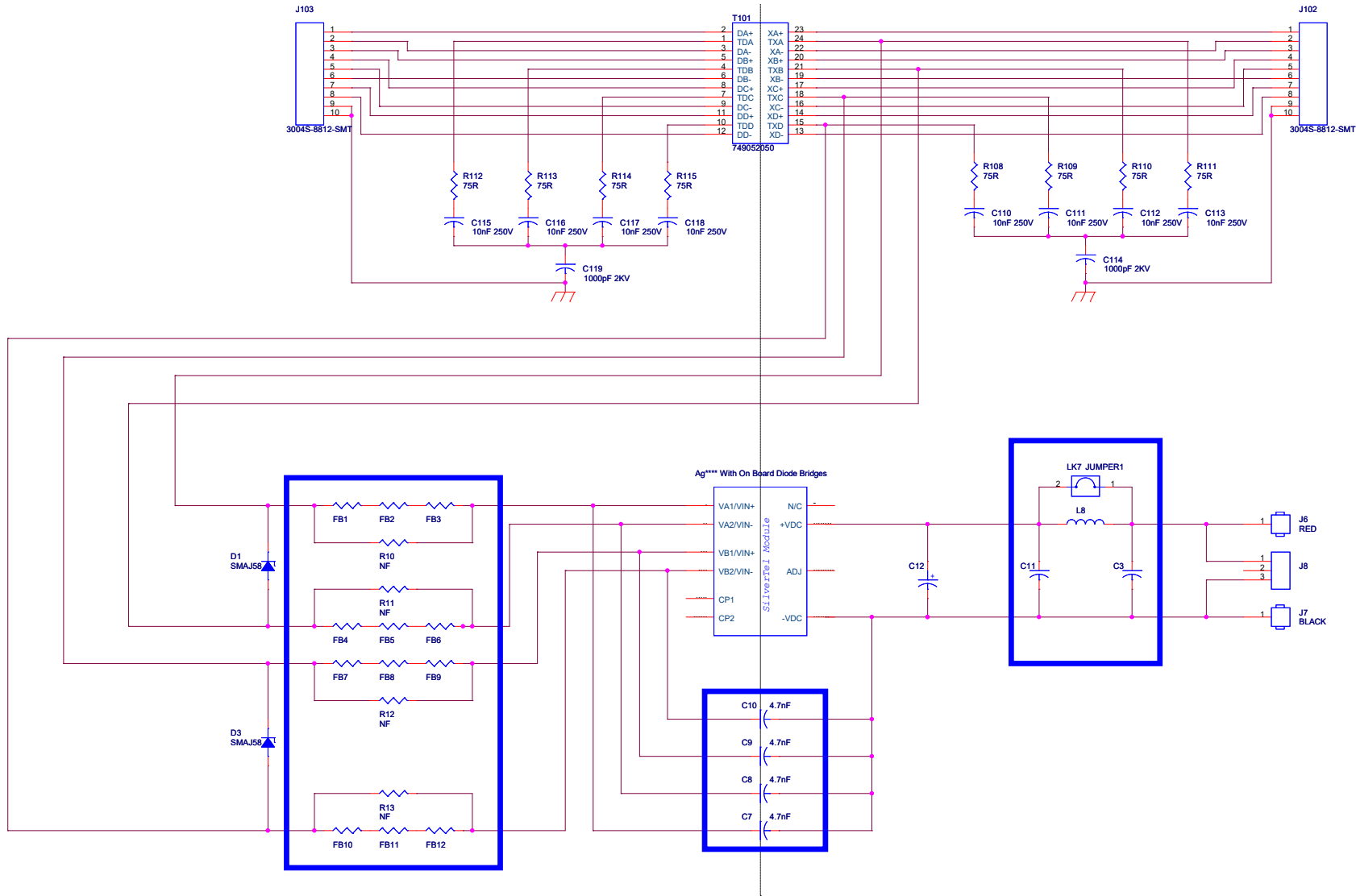


Component values dependent on PoE module chosen-
 *Please see website for datasheets and Apps notes or
 contact apps.support @ silvertel .com for further information.

Title		
Typical_PoE_Reference_Circuit		
Size	Document Number	Rev
A3	Typical_PoE_Reference_Circuit	1
Date:	Thursday, December 14, 2017	Sheet 1 of 1

Typical PoE Reference Circuit - 2

SilverTel Module With On Board Diode Bridges



Optional Filtering* ----->

Component values dependent on PoE module chosen-
 *Please see website for datasheets and Apps notes or
 contact apps.support @ silvertel .com for further information.

Title		
Typical_PoE_Reference_Circuit-on board diode bridges		
Size	Document Number	Rev
Custom	Typical_PoE_Reference_Circuit-on board diode bridges	<Rev Code>
Date:	Thursday, December 14, 2017	Sheet 1 of 1