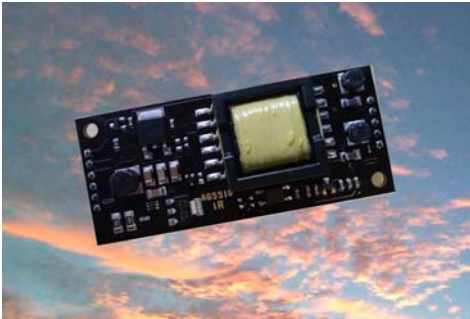


Ag5510

Low Cost 60W PoE Ultra Module

V0.2
October 15



- **Cost optimised 60W POE Ultra PD**
- **IEEE802.3af & at compatible**
- **Power received on all 4 pairs**
- **Compact DIL package**
- **Overload, thermal & short-circuit protection**
- **Wide input voltage range (37-57V)**
- **Dual 12V or Single 24 V output**
- **1500V isolation (input to output)**
- **87% efficient including integral DC/DC converter**
- **Minimal (low cost) external components required**
- **Simple integration**

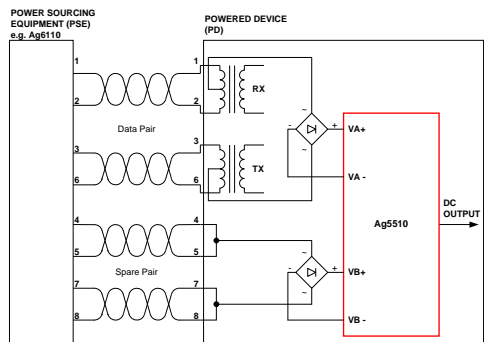
Silvertel's Ag5510 cost reduced 60W POE Ultra PD modules have been specifically designed for higher power POE applications. Capable of extracting up to 60W of power from a conventional twisted pair Category 5 Ethernet cable, these modules conform to the 802.3at Power-over-Ethernet (PoE) standard. This total solution includes 1.5kV isolation, PoE signature and integral DC to DC converter.

The easy to integrate DIL package module provides a simple PoE solution using minimal extra low cost components.

Ag5510 accepts power from all four pairs of the Ethernet cable. The integrated, high efficiency (up to ~87%), cost optimised DC/DC converter operates over a wide input voltage range providing a regulated output. In addition it provides built-in protection against overloads and short-circuits. The output voltage is nominally 12 or 24V, but is easily adjustable using a simple pull up/down resistor.

The Ag5510 provides signature and control circuitry to give full backwards PoE compatibility. A signature is needed by the Power Sourcing Equipment (PSE) before it will provide power to the port.

Ag5510 is an ideal cost effective solution for POE for any volume applications, e.g. PTZ IP cameras, door access systems, intelligent displays and sensors, requiring higher power than POE+. It is easy to design and integrate into the end product, with the added advantage of the complementary Ag6110 PSE to complete the design.



Power and Analogue Solutions

<http://www.silvertel.com/>



Note: The device specifications are based on preliminary data and are subject to change. Contact Silver Telecom Representative for up-to-date information.