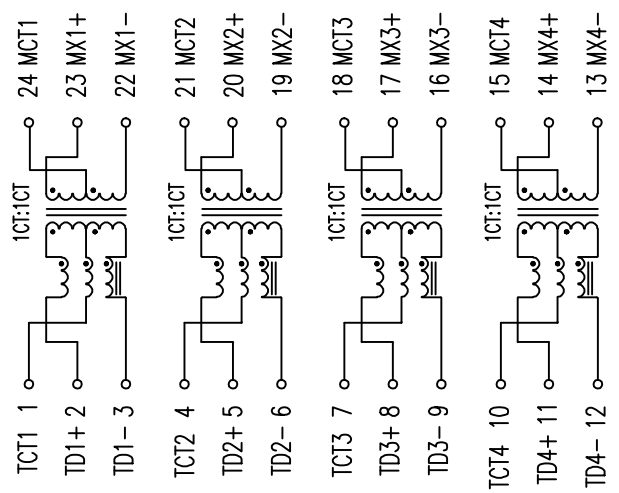


SUGGESTED PAD LAYOUT



* RoHS COMPLIANT

ELECTRICAL CHARACTERISTICS @25°C:

- INSULATION HI-POT : 1500 Vrms/1mA ,60Sec.
- TURN RATIO (±5%) : 1CT : 1CT
- OCL : (@100kHz, 0.1Vrms with 21mA DC Bias) : 120uH MIN
- CROSS TALK (dB MIN.) : 1-500MHz : -25
- INSERTION LOSS : @1-200MHz : -1.2dB MAX. @200-300MHz : -1.5dB MAX.
@300-400MHz : -2.0dB MAX. @400-500MHz : -3.0dB MAX.
- RETURN LOSS : @1-100MHz : -18dB MIN. @100-200MHz : -16dB MIN.
@200-300MHz : -12dB MIN. @300-400MHz : -10dB MIN.
@400-500MHz : -8dB MIN.
- DIFFERENTIAL TO COMMON MODE REJECTION (dB MIN.) : 1-500MHz : -25
- LK(100kHz, 0.1Vrms) : 0.5uH MAX.
- DCR : 0.9Ω TYP.
- PoE SUPPORT 90W : Each channel support 900mA DC balance current,
Full channel support 1800mA DC balance current.
- Operating temperature : 0°C to +70°C
Storage temperature : -40°C to +85°C

							TITLE: 10G BASE-T	
							PoE++ TRANSFORMER	
							DWG. NO. ATPL-547PR-10	
RELEASE		11/19/2018	SHIRLEY	BETTY	BETTY	UNITS: M/M	SAFETY	
NO:	DESCRIPTION	DATE	BY	CHK	APPD	DATE	P/N:	SHEET 1 OF 1
REVISIONS						11/19/20	DRAW SHIRLEY	