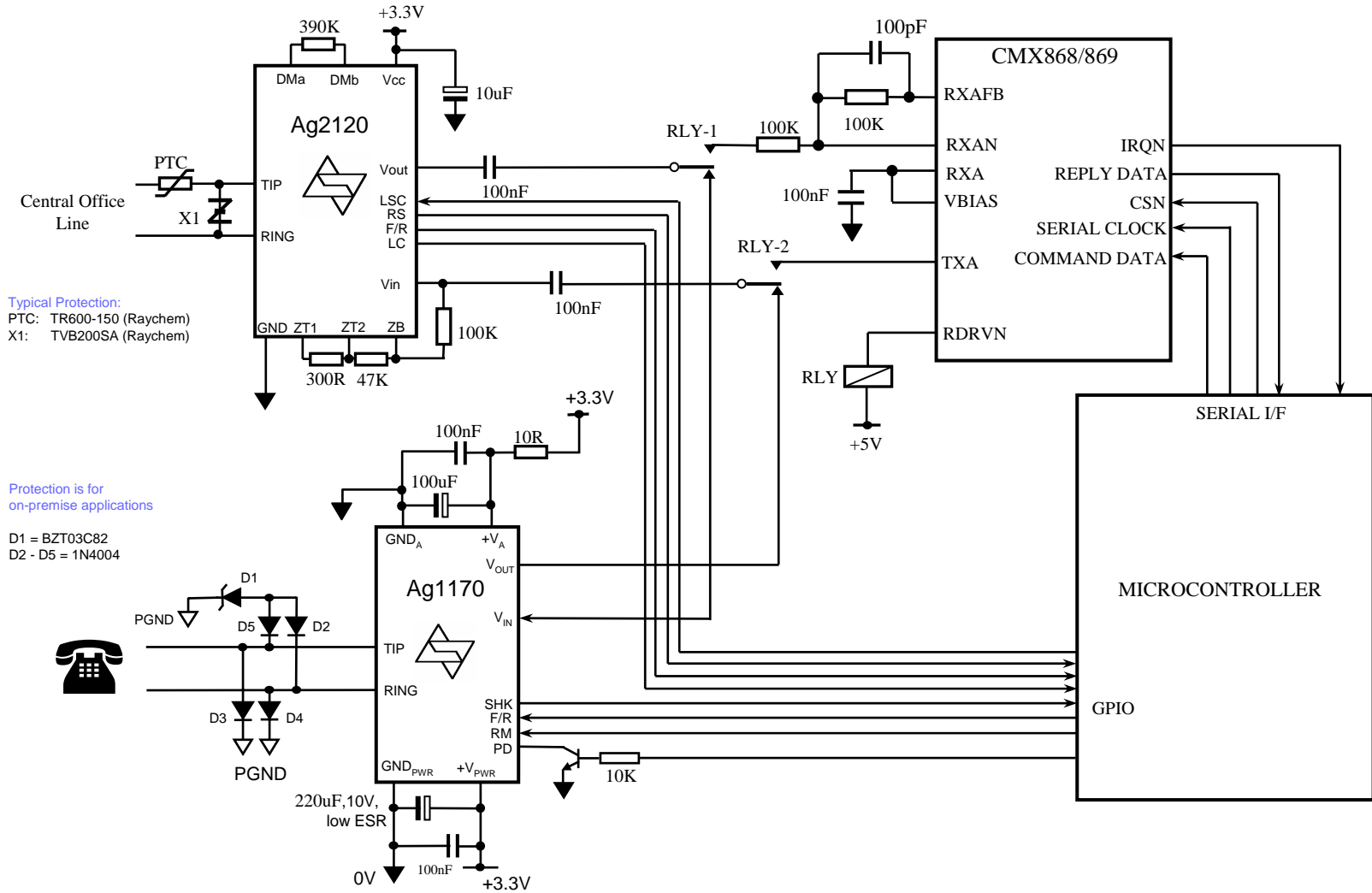


Modem Interface using Ag2120 and Ag1170



Typical Protection:
 PTC: TR600-150 (Raychem)
 X1: TVB200SA (Raychem)

Protection is for on-premise applications

D1 = BZT03C82
 D2 - D5 = 1N4004