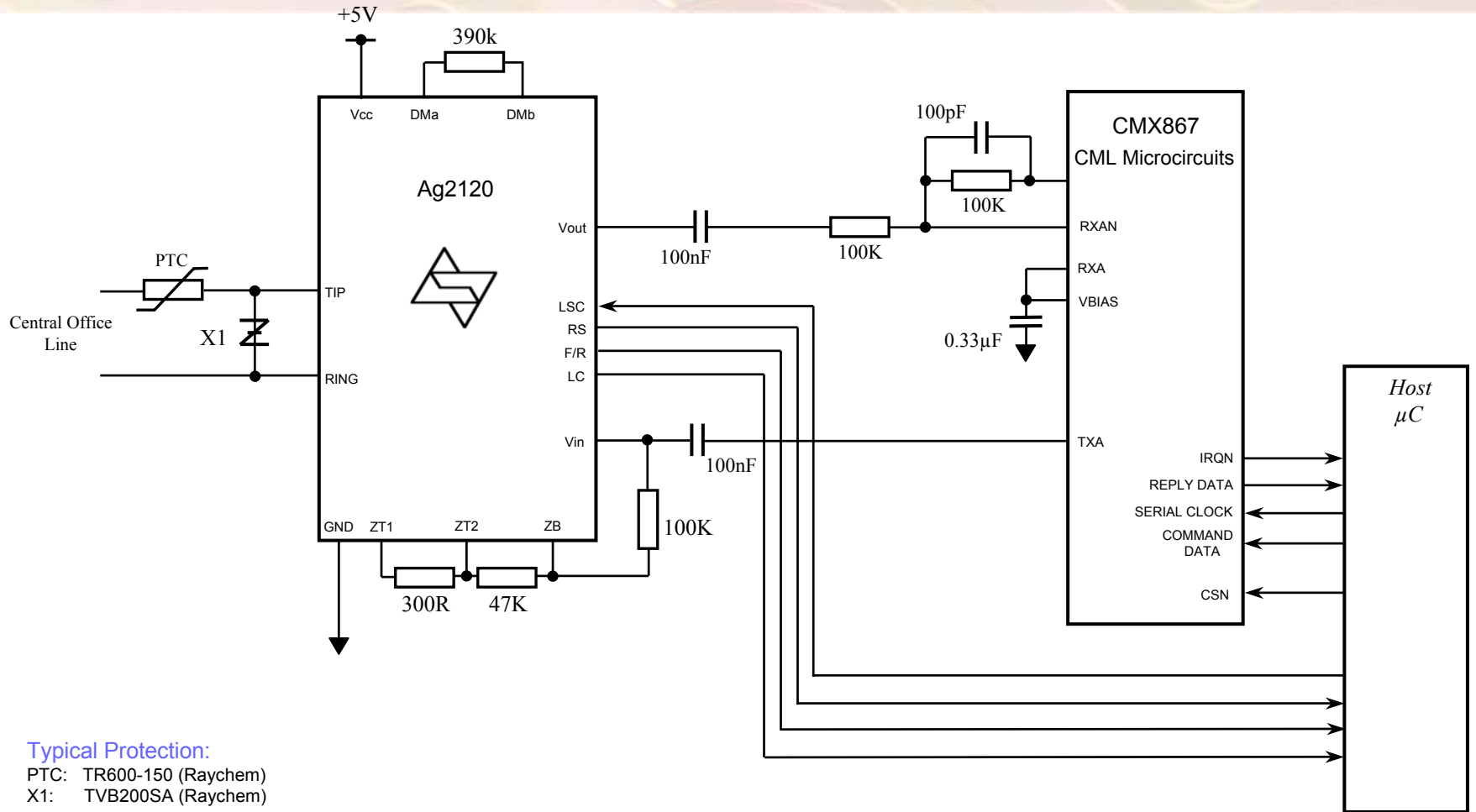


DAA using Ag2120 and CMX867



Typical Protection:

PTC: TR600-150 (Raychem)
 X1: TVB200SA (Raychem)