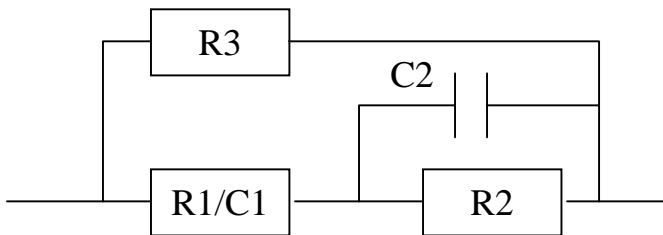
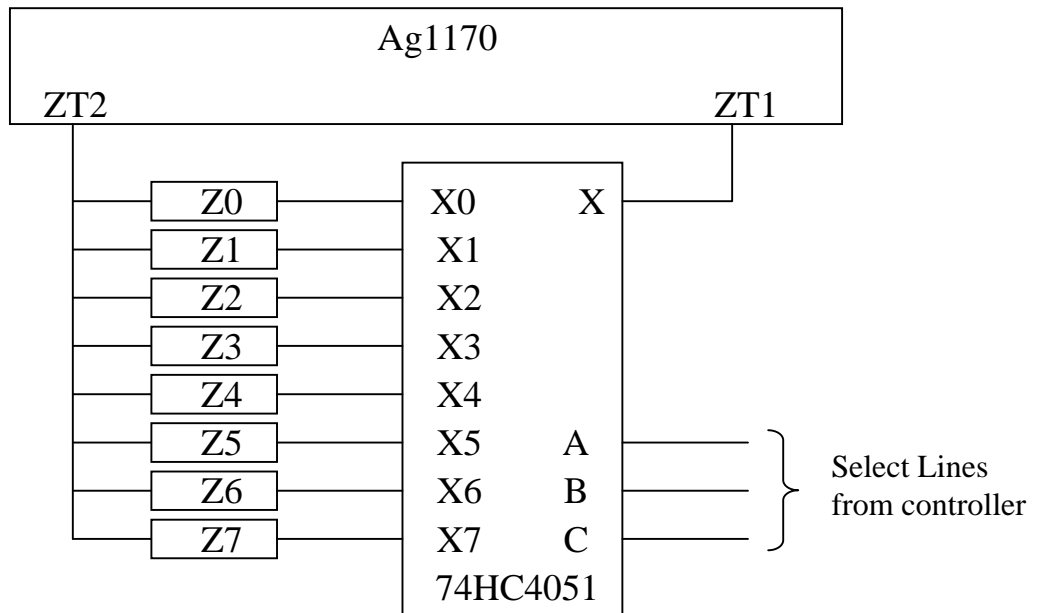


Ag1170P - 8 Programmable Termination Impedances



Impedance "Zn"
 NF = Not Fitted
 SC = Short Circuit
 Resistors = 0603, 1%
 Capacitors = 0603, 5%, X7R, 16V

These 8 impedances will cover the requirements of more than 95% of the world.

Impedance	R1/C1	R2	R3	C2	Country
600R	62K	SC	NF	NF	USA, Korea, Taiwan
900R	91K	SC	NF	NF	Brazil
600R + 1uF	10nF	62K	470K	NF	Japan CO
900R + 2.2uF	22nF	91K	470K	NF	BellCore TR0057
245R + (785R//133nF)	24K	75K	NF	1.2nF	Europe (CTR21), Australia, South Africa
200R + (620R//100nF)	20K	62K	NF	1nF	China, CO and PBX
370R + (620R//310nF)	36K	62K	NF	3.3nF	India, New Zealand
100R + (1K//100nF)	10K	100K	NF	1nF	Japan PBX

Component cost for 8 selectable impedances = \$0.24

Item	Qty	Cost ea.	Total Cost
74HC4051	1	\$0.15	\$0.15
Resistor	14	\$0.002	\$0.028
Capacitor	6	\$0.01	\$0.06

(Costed at 10K qty)