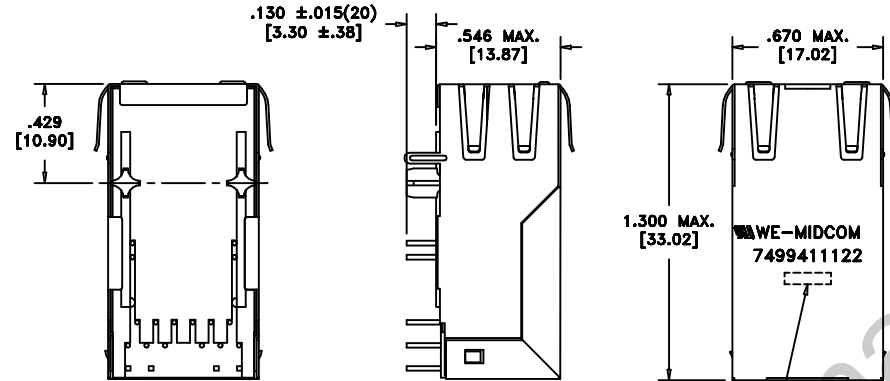
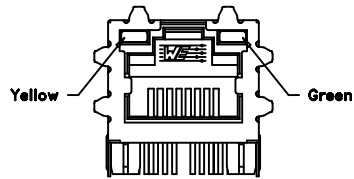
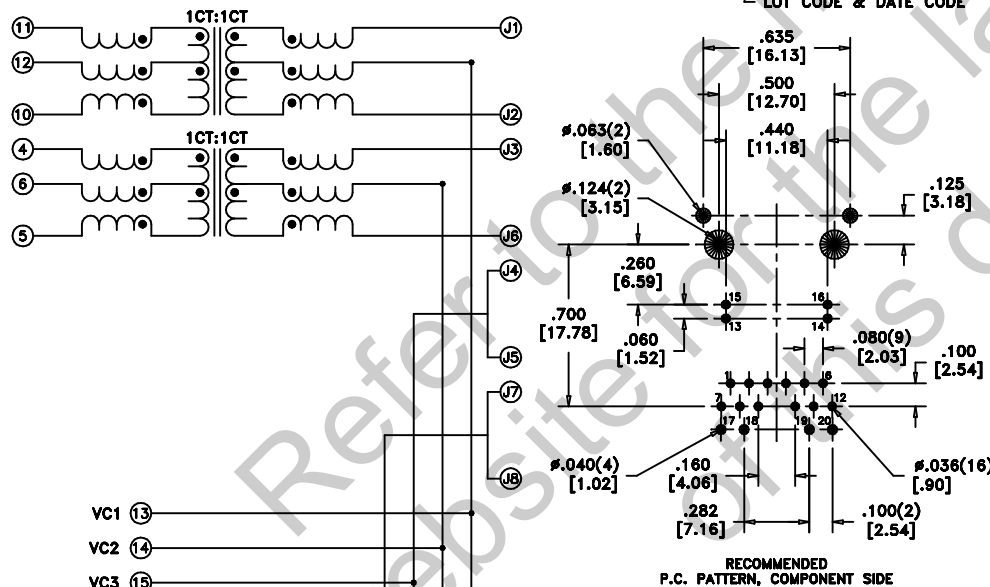


|                   |      |               |
|-------------------|------|---------------|
| CUSTOMER TERMINAL | RoHS | LEAD(Pb)-FREE |
| Sn100%            | Yes  | Yes           |



1.300 MAX. [33.02]  
WE-MIDCOM  
7499411122

LOT CODE & DATE CODE



RECOMMENDED  
P.C. PATTERN, COMPONENT SIDE

**ELECTRICAL SPECIFICATIONS @ 25°C unless otherwise noted:**

| PARAMETER             | TEST CONDITIONS                   | VALUE                      |
|-----------------------|-----------------------------------|----------------------------|
| INDUCTANCE            | J1-J2 100kHz, 100mVAC, 18mADC, Lp | 350uH min.                 |
| INDUCTANCE            | J3-J6 100kHz, 100mVAC, 18mADC, Lp | 350uH min.                 |
| DIELECTRIC            | PRI-SEC -                         | 1500Vrms/2250VDC, 1 minute |
| URNS RATIO            | Per schematic                     | -                          |
| INSERTION LOSS        | 1M - 100MHz                       | -1.0dB max.                |
| RETURN LOSS           | 1M - 30MHz                        | -18dB min.                 |
| RETURN LOSS           | 30M - 45MHz                       | -16dB min.                 |
| RETURN LOSS           | 45M - 60MHz                       | -14dB min.                 |
| RETURN LOSS           | 60M - 80MHz                       | -12dB min.                 |
| CROSSTALK             | 1M - 100MHz                       | -30dB typ.                 |
| COMMON MODE REJECTION | 1M - 100MHz                       | -35dB min.                 |
| COMMON MODE REJECTION | 100M - 500MHz                     | -25dB min.                 |

**GENERAL SPECIFICATIONS:**

OPERATING TEMPERATURE RANGE: 0°C to +70°C.

Designed to handle 600mADC and meet 802.3at.

| REV. | DATE  |
|------|-------|
| 6A   | 10/08 |

Packaging Specifications  
Method: Tray  
PKG-0573  
www.midcom-inc.com

Unless otherwise specified:  
Tolerances: Fractions: ±1/64  
Angles: ±1° Decimals: ±.010 [.25]  
This drawing is dual dimensioned. Dimensions in brackets are in millimeters.

DRAWING TITLE  
**TRANSFORMER**  
10/100 Mbs & PoE+ High Performance  
eISos p/n: 7499411122



DRAWING NO.  
**7499411122**

AGENCY NUMBER  
UL60950-1 E205930

REVISIONS: SEE SHEET 1

SCALE ---

SHEET 2 OF 7