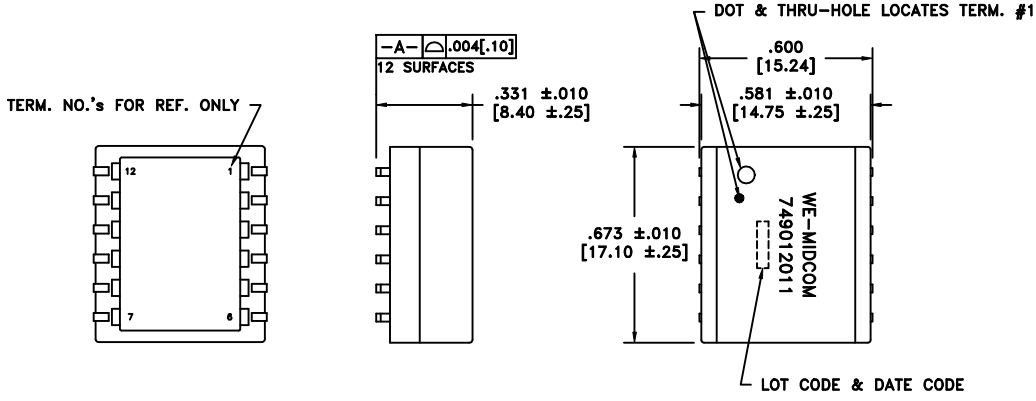
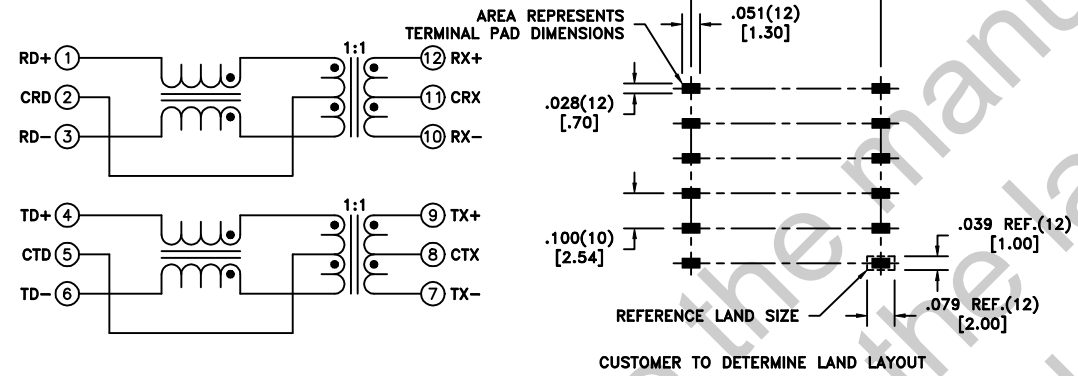


CUSTOMER TERMINAL	RoHS	LEAD(Pb)-FREE
Sn96%, Ag4%	Yes	Yes



**ELECTRICAL SPECIFICATIONS @ 25°C unless otherwise noted:**

PARAMETER	TEST CONDITIONS	VALUE
INDUCTANCE	12-10 100kHz, 100mVAC, 24mADC, Lp	350uH min.
INDUCTANCE	7-9 100kHz, 100mVAC, 24mADC, Lp	350uH min.
DIELECTRIC	1-12 tie(1+4, 12+9), 1800Vrms, 1 second	1500Vrms, 1 minute
URNS RATIO	(1-3):(12-10)	1:1, ±2%
URNS RATIO	(4-6):(9-7)	1:1, ±2%
INSERTION LOSS	500k - 100MHz	-1.0dB max.
RETURN LOSS	500k - 30MHz	-18dB min.
RETURN LOSS	30M - 45MHz	-15dB min.
RETURN LOSS	45M - 60MHz	-13dB min.
RETURN LOSS	60M - 80MHz	-10dB min.
CROSSTALK	1M - 100MHz	-35dB min.
CMRR	500k - 100MHz	-33dB min.



**GENERAL SPECIFICATIONS:**

OPERATING TEMPERATURE RANGE: 0°C to +70°C.  
 Designed to comply with POE+ requirements, 720mA current capability.  
 COPLANARITY: All 12 terminals must lie on a plane within .004 [.10] of Surface A after lead tinning.

REV.	DATE
6A	11/07

Packaging Specifications  
 Method: Tape & Reel  
 PKG-0645  
 www.midcom-inc.com

Unless otherwise specified:  
 Tolerances: Fractions: ±1/64  
 Angles: ±1° Decimals: ±.005[.127]  
 This drawing is dual dimensioned. Dimensions in brackets are in millimeters.

DRAWING TITLE  
**TRANSFORMER POE+**  
 eiSos p/n: 749012011



DRAWING NO.  
**749012011**  
 REVISIONS: SEE SHEET 1  
 SCALE --- SHEET 2 OF 8