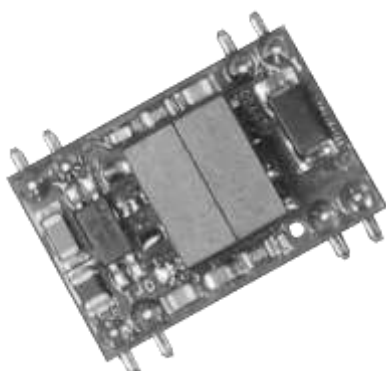




Ag9900M

Ultra Miniature PoE Module



1. Features

- Tiny SMT package (14mm x 21mm)
- IEEE802.3af compliant
- Low cost
- Input voltage range 36V to 57V
- Minimal external components required
- Short-circuit protection
- Industrial temperature version available
- Over temperature protection (Industrial Temperature version)
- Adjustable Output
- 1500V isolation (input to output)
- Silvertel "design-in" assistance

2. Description

The Ag9900M Power-over-Ethernet (PoE) modules are the smallest POE solution in the world and designed to extract power from a conventional twisted pair Category 5 Ethernet cable, conforming to the IEEE 802.3af PoE standard.

The Ag9900M signature and control circuit provides the PoE compatibility signature required by the Power Sourcing Equipment (PSE) before applying up to 15W power to the port. The Ag9900 provides a Class 0 signature.

The DC/DC converter operates over a wide input voltage range and provides a regulated output. The DC/DC converter also has built-in short-circuit output protection.

Table of Contents

1. Features	1
2. Description.....	1
Table of Contents	2
Table of Figures	2
3. Pin Description	4
3.1 Ag9900M	5
4. Functional Description	6
4.1 Inputs.....	6
4.2 PD Signature	6
4.3 Isolation	6
4.4 Power Classification	7
4.5 DC/DC Converter	7
4.6 Output Adjustment.....	7
4.7 Typical Connections	8
4.8 Additional Output Filtering	9
4.9 Start-up Power.....	10
5. Typical Application.....	10
6. Operating Temperature Range.....	11
7. Layout Consideration.....	15
8. Protection	16
8.1 Input Protection	16
8.2 Thermal Protection	17
9. EMC.....	17
10. Electrical Characteristics.....	18
10.1 Absolute Maximum Ratings ¹	18
10.2 Recommended Operating Conditions.....	18
10.3 DC Electrical Characteristics	18
11. Package	20

Table of Figures

Figure 1: Block Diagram	3
Figure 2: Ag9900M SMT Package Format.....	4
Figure 3: Typical System Diagram	6
Figure 4: Output Adjustment	7
Figure 5: Typical Connection Diagram.....	8
Figure 6: Output Filtering	9
Figure 7: Typical Application.....	10
Figure 8: Ag9924M Operating Profile	11
Figure 9: Ag9912M Operating Profile	12
Figure 10: Ag9905M Operating Profile	12
Figure 11: Ag9903M Operating Profile	13
Figure 12: Ag9900M Thermal Relief	14
Figure 13: Thermal Gap Pad Position.....	15
Figure 14: Layout Consideration.....	16
Figure 15: Ag9900M Input Protection	16
Figure 16: EMC Filtering.....	17

Ag9900M Product Selector

Standard			
Part Number†	Nominal Output Voltage	Maximum Output Power *	Date code‡ and Voltage Marking
Ag9903M	3.3V	6 Watts	3 WWYY
Ag9905M	5.0V	9 Watts	5 WWYY
Ag9912M	12.0V	12 Watts	12 WWYY
Ag9924M	24.0V	12 Watts	24 WWYY
Industrial Temperature Version			
Part Number†	Nominal Output Voltage	Maximum Output Power *	Date code‡ and Voltage Marking
Ag9903MT	3.3V	6 Watts	3T WWYY
Ag9905MT	5.0V	9 Watts	5T WWYY
Ag9912MT	12.0V	12 Watts	12T WWYY
Ag9924MT	24.0V	12 Watts	24T WWYY

*At 25°C with $V_{IN} = 48V$

† The Ag9900M fully meets the requirements of the RoHS directive 2011/65/EC on the restriction of hazardous substances in electronic equipment.

‡ Date code format: "WW" = Week Number, "YY" = Year; if the industrial temperature version, Ag9900MT, is chosen it will be marked with the letter "T" after the voltage variant.

Table 1: Ordering Information

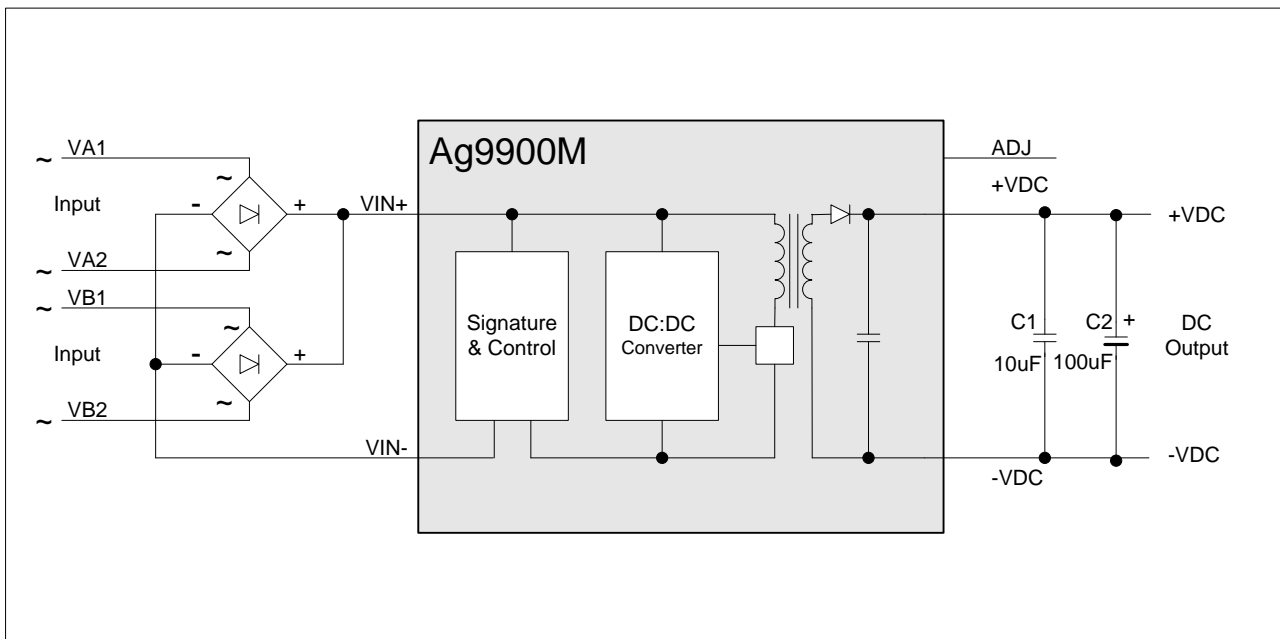


Figure 1: Block Diagram

3. Pin Description

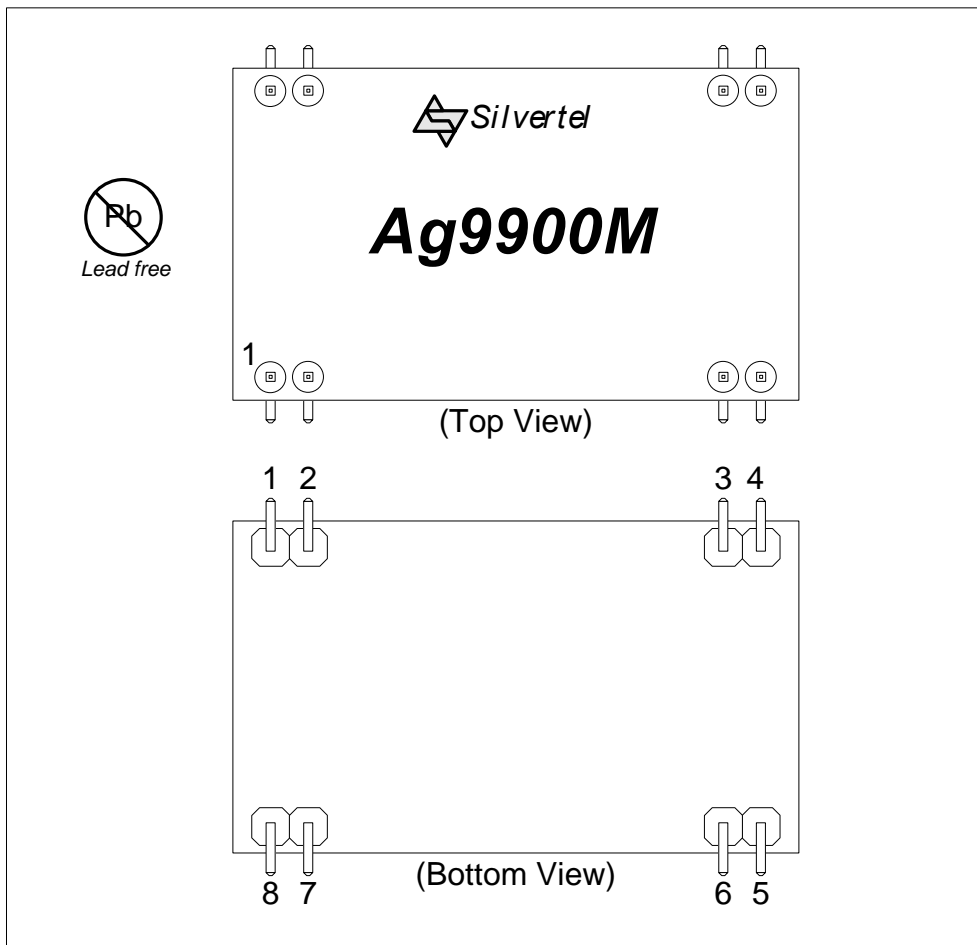


Figure 2: Ag9900M SMT Package Format

3.1 Ag9900M

Pin #	Name	Description
1	+VDC	DC Output. This pin provides the regulated output from the DC/DC converter.
2		
3	-VDC	DC Return. This pin is the return path for the +VDC output.
4	ADJ	Output Adjust. The output voltage can be adjusted from its nominal value, by connecting an external resistor from this pin to either the +VDC pin or the -VDC pin.
5	VIN+	Direct Input +. This pin connects to the positive (+) output of the input bridge rectifiers.
6		
7	VIN-	Direct Input -. This pin connects to the negative (-) output of the input bridge rectifiers.
8		

Table 2: Pin Description

4. Functional Description

4.1 Inputs

The Ag9900M is compatible with equipment that uses Alternative A (power on data pair) or Alternative B (power on spare pair) options, see Figure 3. It is specified that the PSE does not apply power to both outputs at the same time (Refer to IEEE802.3af for more information).

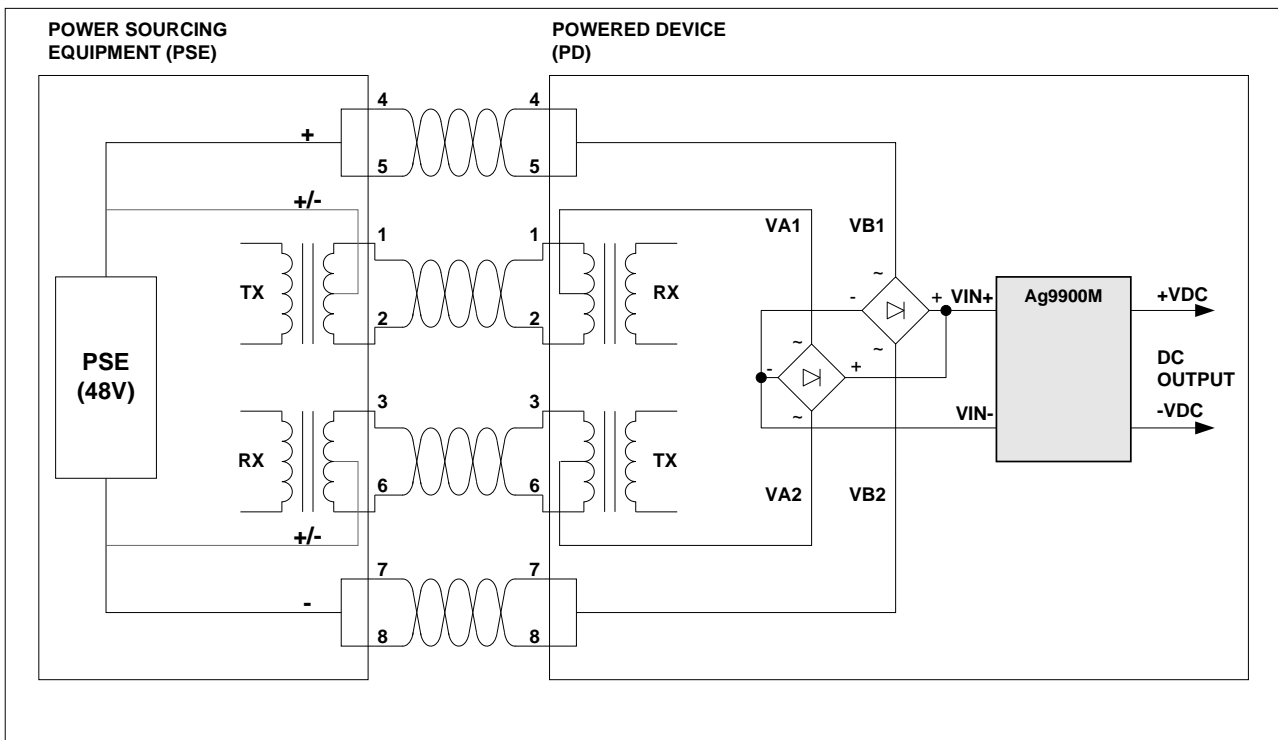


Figure 3: Typical System Diagram

4.2 PD Signature

When the Ag9900M is connected to the Cat5e cable, it will automatically present a Powered Device (PD) signature to the Power Sourcing Equipment (PSE) or Midspan Equipment, when requested. The equipment will then recognise that a powered device is connected to that line and supply power.

4.3 Isolation

To meet the safety isolation requirements of IEEE802.3af section 33.4.1 a Powered Device (PD) must pass the electrical strength test of IEC 60950 sub clause 6.2. This calls for either a) 1500Vac test or b) 1500Vdc impulse test. The Ag9900M is specified to meet the 1500Vdc impulse test. It is also important that the tracks on either side of the isolation barrier have at least a 3mm clearance, see Figures 12 & 14 for more information.

4.4 Power Classification

The Ag9900M is set to Class 0 (0.44 Watts to 12.95 Watts) operation.

4.5 DC/DC Converter

The Ag9900M's DC/DC converter provides a regulated output that has built-in short-circuit output protection – refer Table 1: Ordering information for voltage and power ratings.

4.6 Output Adjustment

The Ag9900M has an ADJ pin, which allows the output voltage to be increased or decreased from its nominal value. Figure 4: Output Adjustment shows how the ADJ pin is connected.

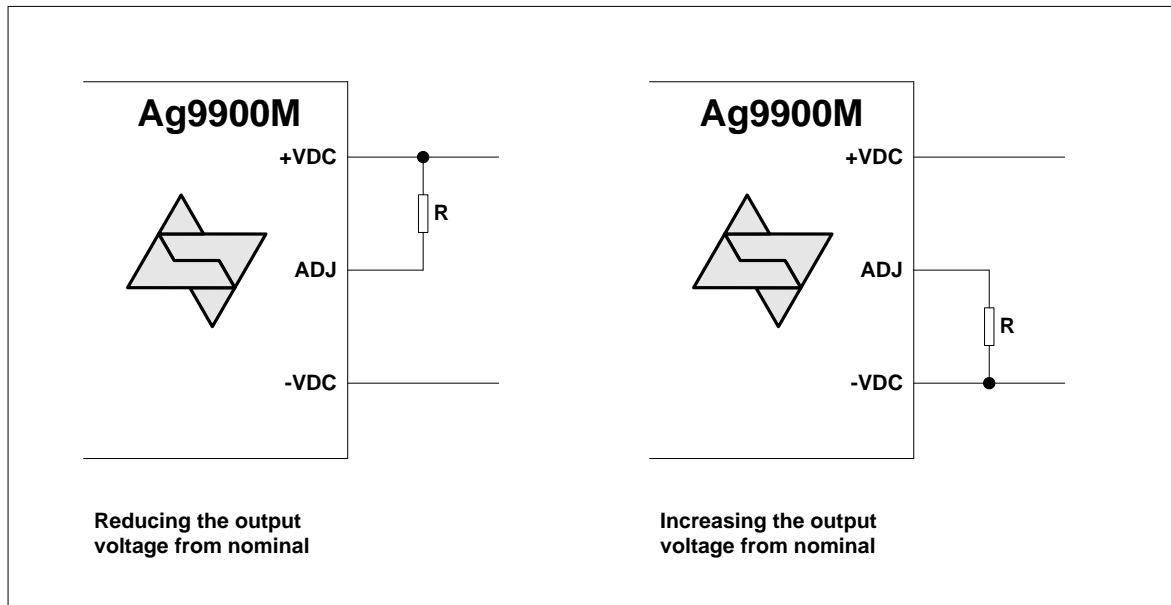


Figure 4: Output Adjustment

Reducing the output voltage, connect R between ADJ and +VDC				
Value of R	Ag9903M output	Ag9905M output	Ag9912M Output	Ag9924M Output
Open Circuit	3.30V	5.00V	12.00V	24.00V
0 Ohms	3.20V	4.48V	10.0V	19.85V
Increasing the output voltage, connect R between ADJ and -VDC				
Value of R	Ag9903M output	Ag9905M output	Ag9912M output	Ag9924M Output
Open Circuit	3.30V	5.00V	12.00V	24.00V
0 Ohms	3.78V	5.65V	12.75V	25.10V

Table 3: Output Adjustment Resistor (R) Value

4.7 Typical Connections

The Ag9900M requires minimal external components as shown in Figure 5: Typical Connection Diagram.

C2 must be fitted for output stability and should be a minimum of 100µF. This capacitor should be positioned as close to the output pins as possible. C2 is also required to handle load step change and reduce the output ripple. For applications where the output needs to cope with high load step changes, or to reduce the output ripple we recommend using a low ESR electrolytic as this reduces the output ripple. Also a low ESR capacitor is essential for operation below 0°C.

BR1 and BR2 can be inexpensive bridge rectifiers, for example MB4S or MB6S.

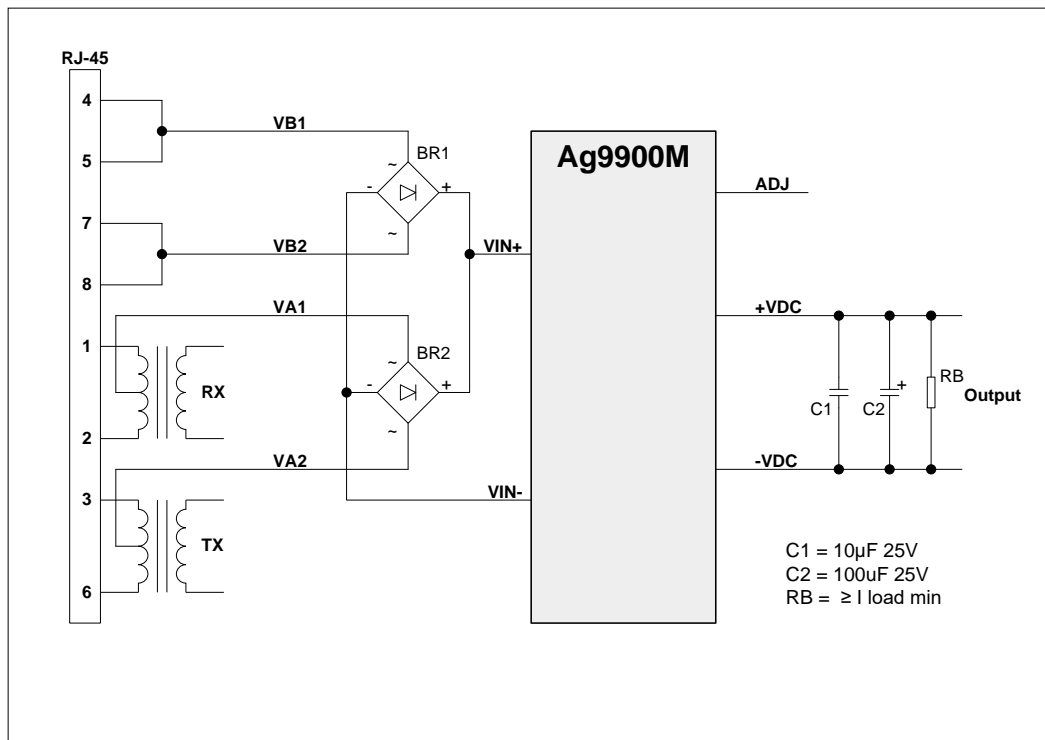


Figure 5: Typical Connection Diagram

The output adjust input (ADJ) is optional, it is provided to give greater flexibility to the Ag9900M product range. Further information on using these inputs can be found in Section 5.6.

The Ag9900M must always supply a minimum current, see Table 11.3. When operated below this level the Ag9900M will emit a low level audible noise. The reason that the module emits this noise is due to the dc/dc converter running in discontinuous mode.

If this audible noise is not an issue, then the Ag9900M can work safely with a much smaller load. But to ensure that the PSE has a sufficient load to meet its Maintain Power Signature (MPS), it would be advisable not to operate the Ag9900M below the specified minimum load.

4.8 Additional Output Filtering

The Ag9900M as shown in Figure 5 offers the minimal capacitance the customer must fit, however Figure 6 shows two cost effective methods for reducing the ripple and noise, if required.

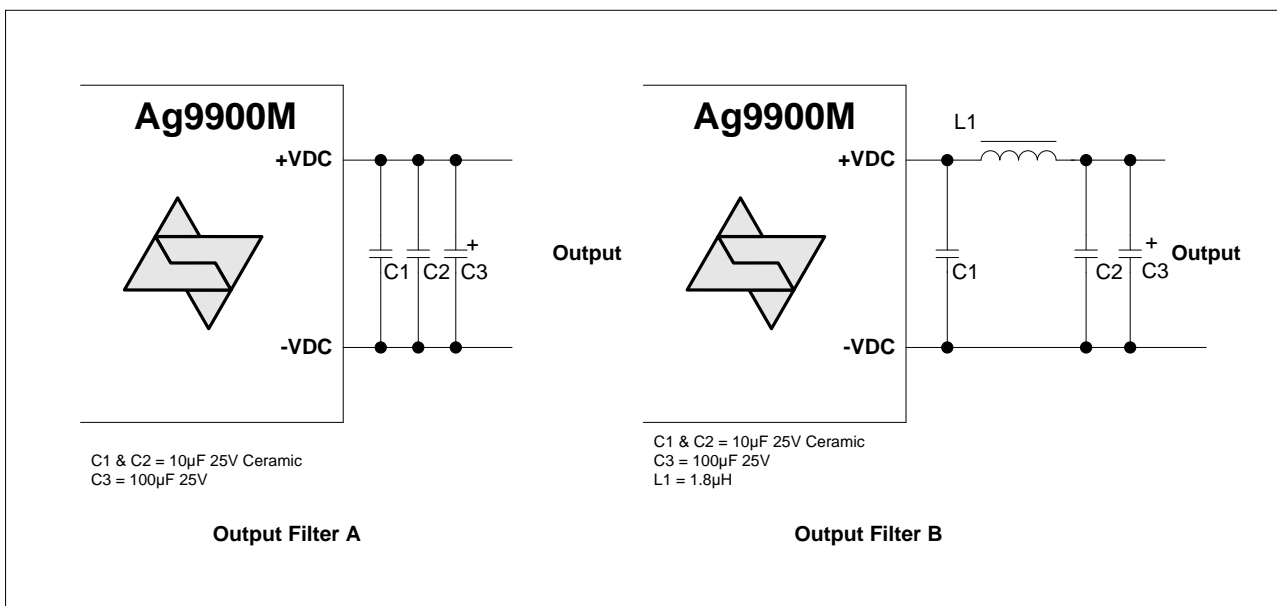


Figure 6: Output Filtering

The simplest and cheapest solution is shown in Figure 6 - Output Filter A. Taking the Ag9912M as an example, this will reduce the ripple and noise to typically 120mVp-p at maximum load. Adding a PI filter, as shown in Figure 6 – Output Filter B, will take the ripple and noise level down further to typically 25mVp-p.

4.9 Start-up Power

It is important that during start-up the Ag9900M input voltage is $\geq 42V$, this will ensure that the module powers up correctly. Once the dc/dc converter is up and running the module will work normally even if the input voltage is reduced to its minimum level of 36V.

When using an IEEE802.3af compliant PSE this will not be an issue, as the minimum output voltage of the PSE must be $\geq 44V$.

5. Typical Application

The Ag9900M can be used in numerous applications. In the example shown in Figure 7, the data outputs from the switch are connected to the inputs of a midspan. The midspan will then add power (to the data) on each output that supports Power over Ethernet (PoE).

In this example port 1 is connected to an Ethernet camera and port 2 is connected to a wireless access point, both of these devices have a built-in Ag9900M. When the midspan is switched on (or when the device is connected), the midspan will check each output for a PoE signature. On ports 1 and 2 the Ag9900M will identify themselves as PoE enabled devices and the midspan will supply both data and power to these peripherals.

The other ports (shown in this example) will not have a PoE signature and the midspan will only pass the data through to these peripherals. The midspan will continuously monitor each output to see if a PoE enabled device has been added or removed.

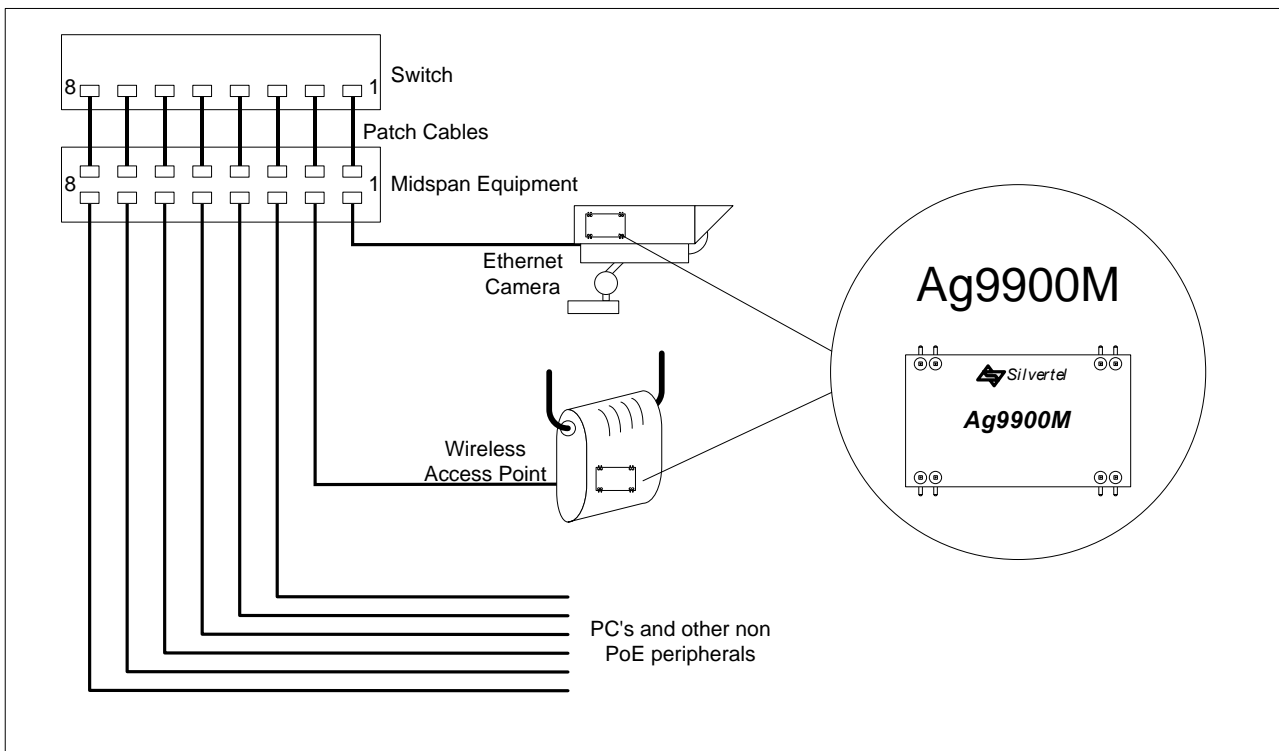


Figure 7: Typical Application

6. Operating Temperature Range

Because the Ag9900M is a power component, it will generate heat, so it is important that this be taken into consideration at the design stage.

The heart of the Ag9900M is a DC/DC converter, which like any other power supply will generate heat. The amount of heat generated by the module will depend on the load it is required to drive and the input voltage supplied by the PSE. The information shown within this section of datasheet is referenced to a nominal 48Vdc input voltage supplied by the PSE.

The Ag9900M has a maximum ambient operating temperature of 70°C, see Figure 8-11. These results were performed in an environment chamber - Associated Environmental System SD-302, without any heat-sinking. The performance of the Ag9900M can be improved by forcing the airflow directly over the part or by using thermal relief pads (see Figure 11 and application note on thermal considerations for more information).

The output stage of the Ag9900M has no built-in thermal protection; however thermal protection is available with the Industrial temperature version Ag9900MT module. To prevent the module from being damaged it is recommended that the module be powered by an IEEE 802.3af compliant PSE or Midspan equipment. However the Ag9900M may be powered by a user designed power supply which should include thermal and over current protection and be current limited to 400mA.

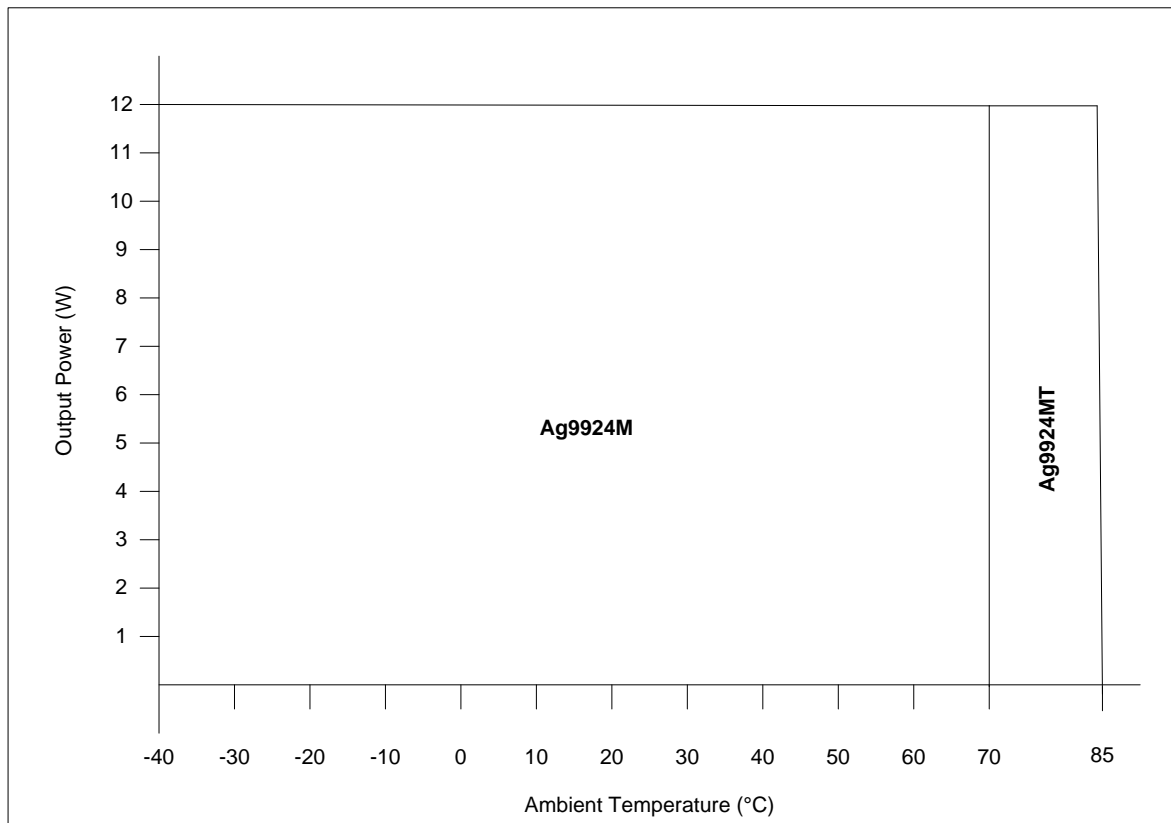


Figure 8: Ag9924M Operating Profile

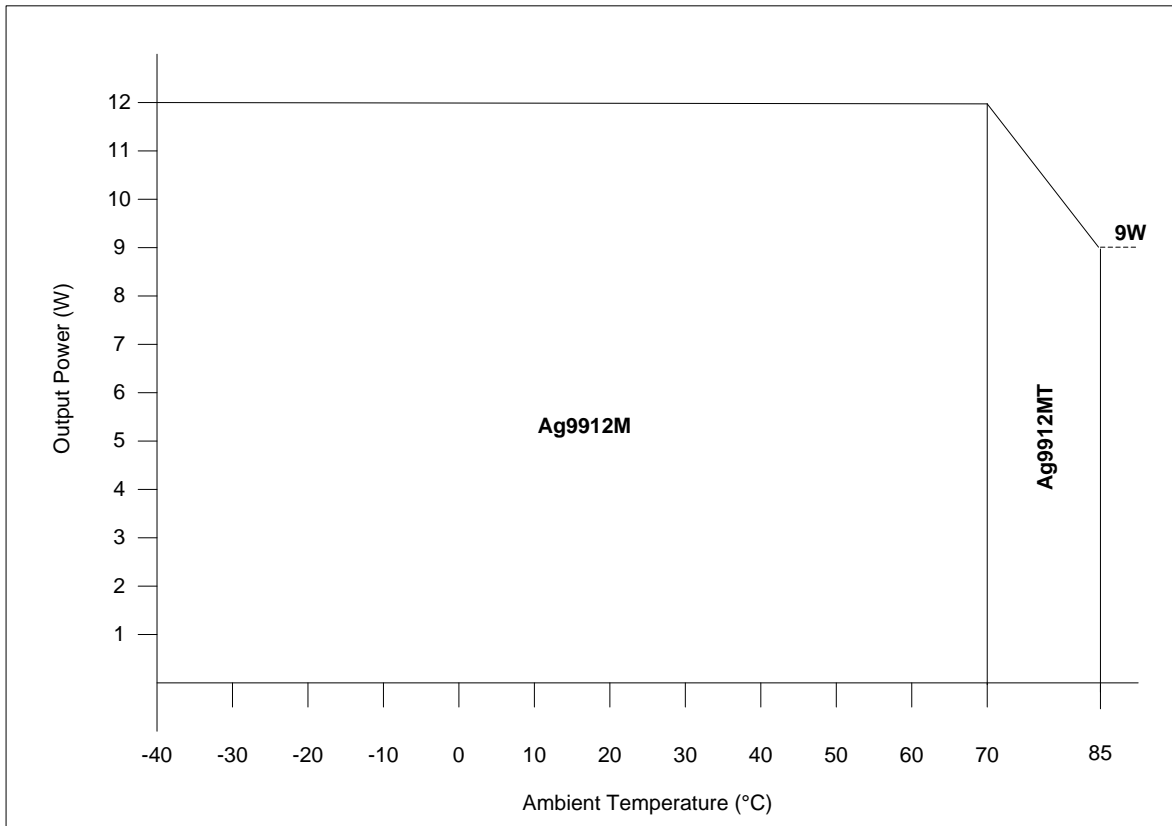


Figure 9: Ag9912M Operating Profile

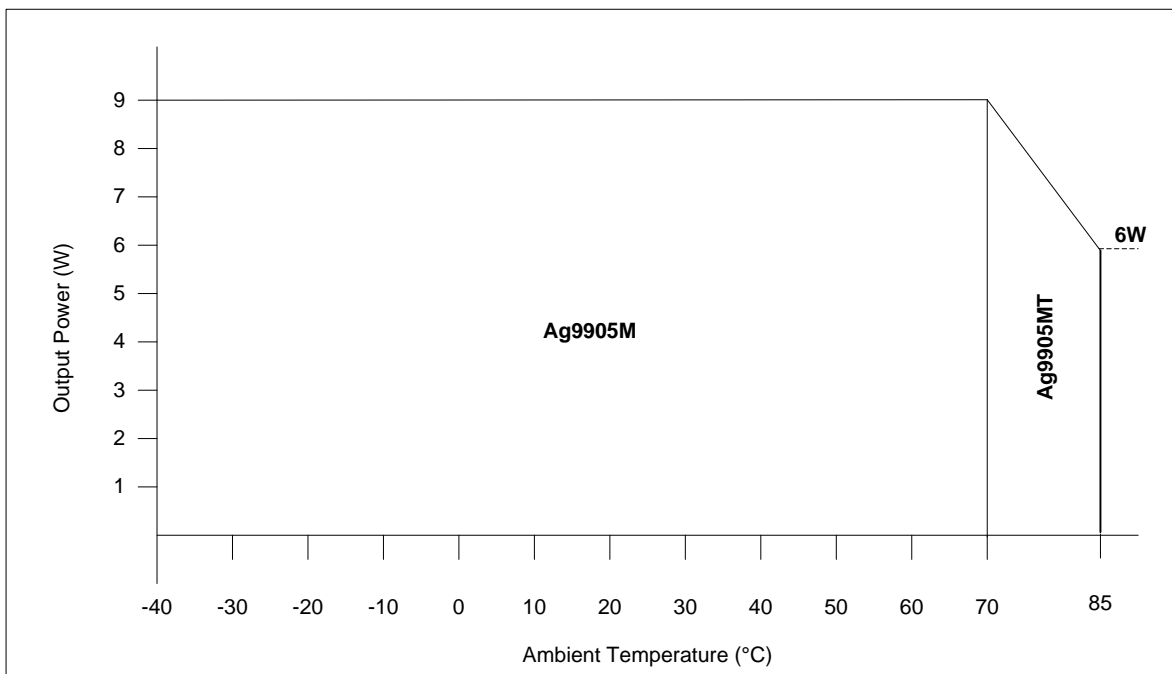


Figure 10: Ag9905M Operating Profile

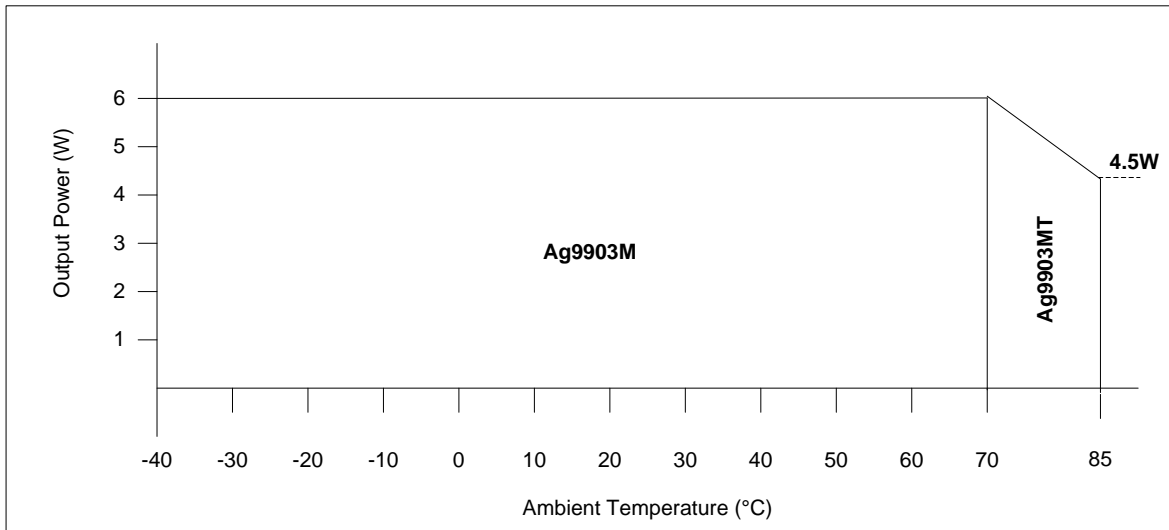


Figure 11: Ag9903M Operating Profile

Because each application is different, it is impossible to give fixed and absolute thermal recommendations. But due to the small size of this module, it is important that as much heat as possible is drawn away from it. It is also important that any enclosure used has sufficient ventilation for the Ag9900M and a direct airflow if possible.

One simple method for drawing some of the heat away from the Ag9900M is shown in Figure 12. Power planes connected to the +VDC and -VDC pins of the Ag9900M can be used to draw heat away from the DC/DC converter via the output pins.

These power planes must be on the outer layers of the PCB and the best results are achieved by having power planes on both sides of the main board with multiple through-hole connections (as shown in Figure 12).

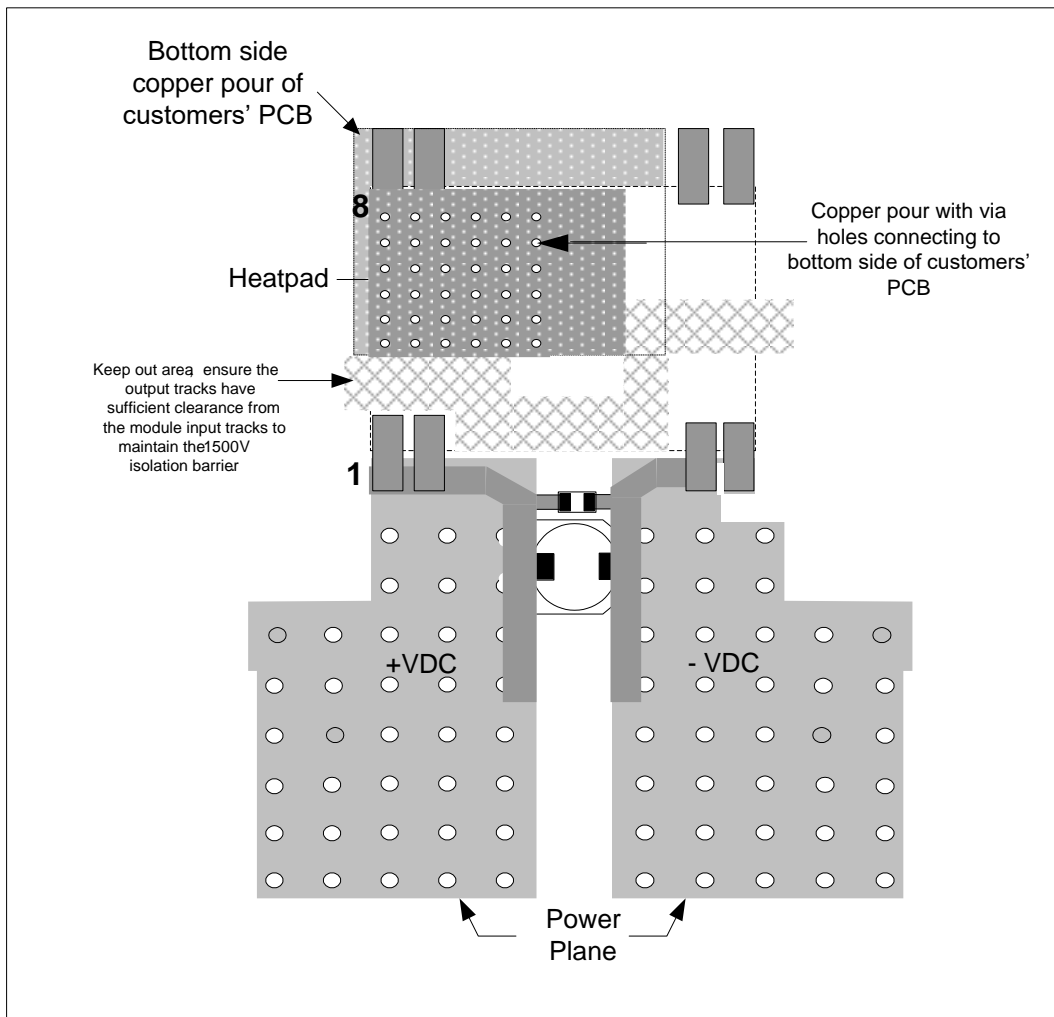


Figure 12: Ag9900M Thermal Relief

Another method that we would recommend when using either the Ag9900MT or Ag9900M is the use of a thermal gap pad, such as Berquist ultra soft 0.1in, be placed underneath the Ag9900M PCB as shown below in Figure 13. The gap pad must fully cover the components on the bottom side of the PCB to provide the best possible thermal conduction through the pad to the customers PCB.

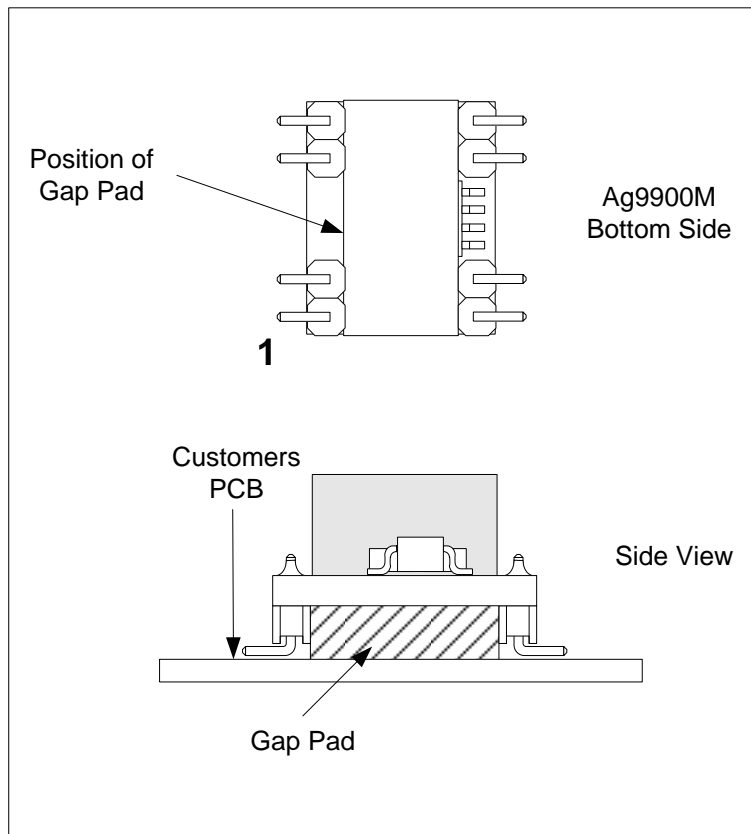


Figure 13: Thermal Gap Pad Position

It is important to remember that the ESR of the external electrolytic capacitors will increase considerably when the ambient temperature falls below 0°C. If the Ag9900M is going to be used in applications where the ambient temperature can fall below 0°C, selection of appropriate output filter components must be done at the design stage.

7. Layout Consideration

Figure 14 shows the position of the isolation barrier, this area must be kept clear of tracks under the Ag9900M module.

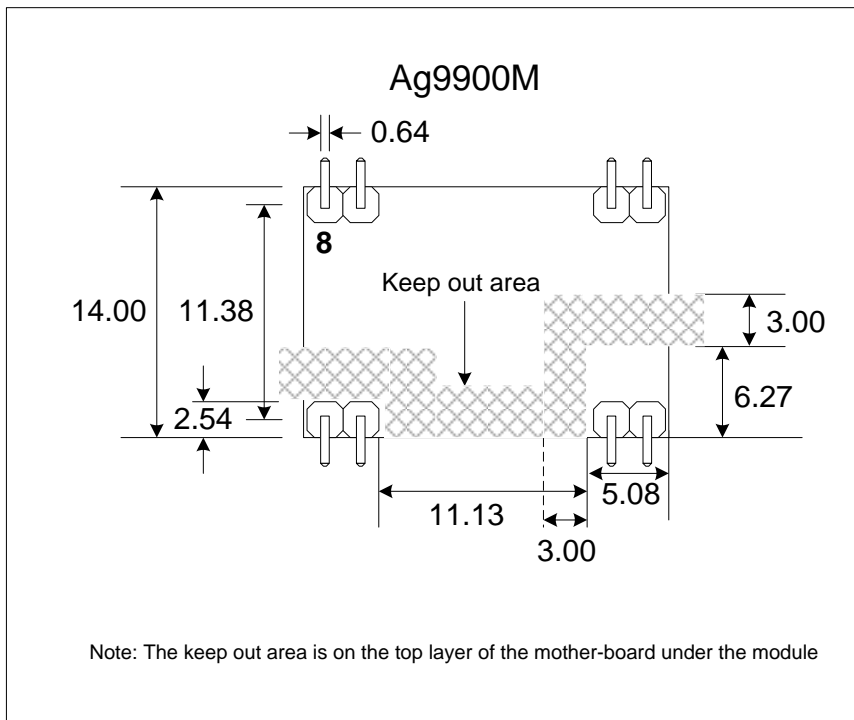


Figure 14: Layout Consideration

8. Protection

8.1 Input Protection

The Ag9900M must be protected from over-voltages exceeding the 80V maximum rated surge input voltage. An inexpensive but effective solution can be achieved by connecting a Transorb diode across the input; see Figure 15.

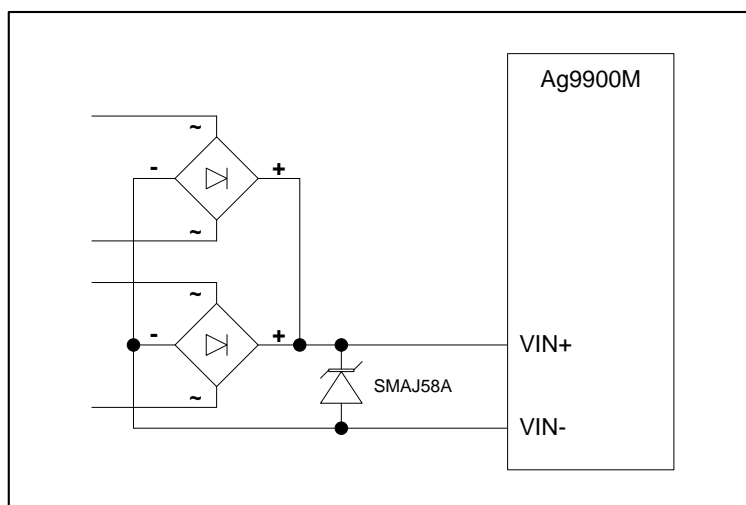


Figure 15: Ag9900M Input Protection

More information is available in App Note “ANX-POE-Protection”.

8.2 Thermal Protection

The standard Ag9900M does not have built-in thermal protection. If this module is intended to be used in high ambient temperatures $>50^{\circ}\text{C}$ then we would recommend the Industrial temperature version Ag9900MT (with thermal protection) to be used.

The thermal protection reduces the output power, see figures 8 to 11, to ensure that the maximum component temperature is not exceeded. Full output power will be restored when the ambient temperature drops back down into the safe operating range.

9. EMC

The Ag9900M uses a dc/dc converter with pulse frequency modulation, so care does need to be taken to minimise emissions.

The Ag9900M is designed to meet EN55022 Class B (pre-compliance test results are available from Silvertel) however, because the Ag9900M will only be one component within your system, it is impossible to say whether the final product will pass EMC testing without the need for additional filtering. Figure 16 shows our recommended EMC Filter configuration for the Ag9900M. For more information, tips and suggestions refer to the application note "ANX-POE-EMI" on our website.

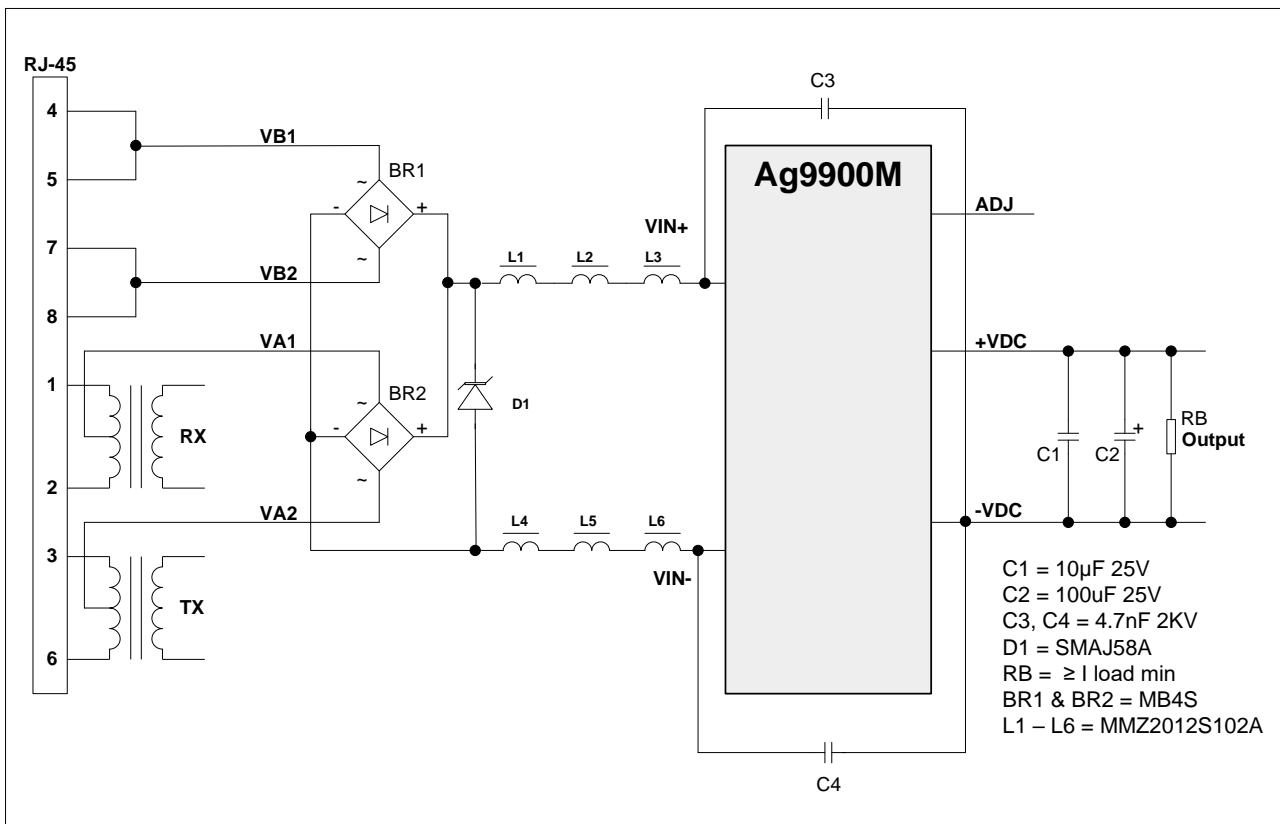


Figure 16: EMC Filtering

10. Electrical Characteristics

10.1 Absolute Maximum Ratings¹

	Parameter	Symbol	Min	Max	Units
1	DC Supply Voltage	V_{CC}	-0.3	60	V
2	DC Supply Voltage Surge for 1ms	V_{SURGE}	-0.6	80	V
3	Storage Temperature	T_S	-40	+100	°C

Note 1: Exceeding the above ratings may cause permanent damage to the product. Functional operation under these conditions is not implied. Maximum ratings assume free airflow.

10.2 Recommended Operating Conditions

	Parameter	Symbol	Min	Typ	Max	Units
1	Input Supply Voltage ¹	V_{IN}	36	48	57	V
2	Under Voltage Lockout	V_{LOCK}	30		36	V
3	Operating Temperature ²	Ag9900M Ag9900MT T_{OP}	-40 -40	25 25	70 85	T_a / °C

Note 1: With minimum load

2: See Section Operating Temperature Range

10.3 DC Electrical Characteristics

	DC Characteristic	Sym	Min	Typ ¹	Max	Units	Test Comments ⁴
1	Nominal Output Voltage	+VDC	23.5 11.5 4.75 3.1	24.0 12.0 5.0 3.3	24.5 12.5 5.25 3.5	V	Ag9924M Ag9912M Ag9905M Ag9903M
2	Output Current ($V_{IN} = 48V$)	PWR			0.5 1.0 ⁵ 1.8 1.8	A	Ag9924M Ag9912M Ag9905M Ag9903M
3	Line Regulation	V_{LINE}		0.14 0.02 0.05 0.05		%	Ag9924M Ag9912M Ag9905M Ag9903M
4	Load Regulation - Min to Max ($V_{IN} = 48V$)	V_{LOAD}		0.12 0.1 0.12 0.7		%	Ag9924M Ag9912M Ag9905M Ag9903M
5	Output Ripple and Noise ² @ Max load	V_{RN}		125 120 95 78		mVp-p	Ag9924M Ag9912M Ag9905M Ag9903M

	DC Characteristic	Sym	Min	Typ ¹	Max	Units	Test Comments ⁴
6	Minimum Load ³	I _{LOAD}	50 100 200 200			mA	Ag9924M Ag9912M Ag9905M Ag9903M
7	Short-Circuit Duration	T _{SC}			∞	sec	
8	Efficiency @ 70% Load	EFF		87 87 83 80		%	Ag9924M Ag9912M Ag9905M Ag9903M
9	Isolation Voltage (I/O)	V _{ISO}			1500	V _{PK}	Impulse Test

Note 1: Typical figures are at 25°C with a nominal 48V supply and are for design aid only. Not Guaranteed

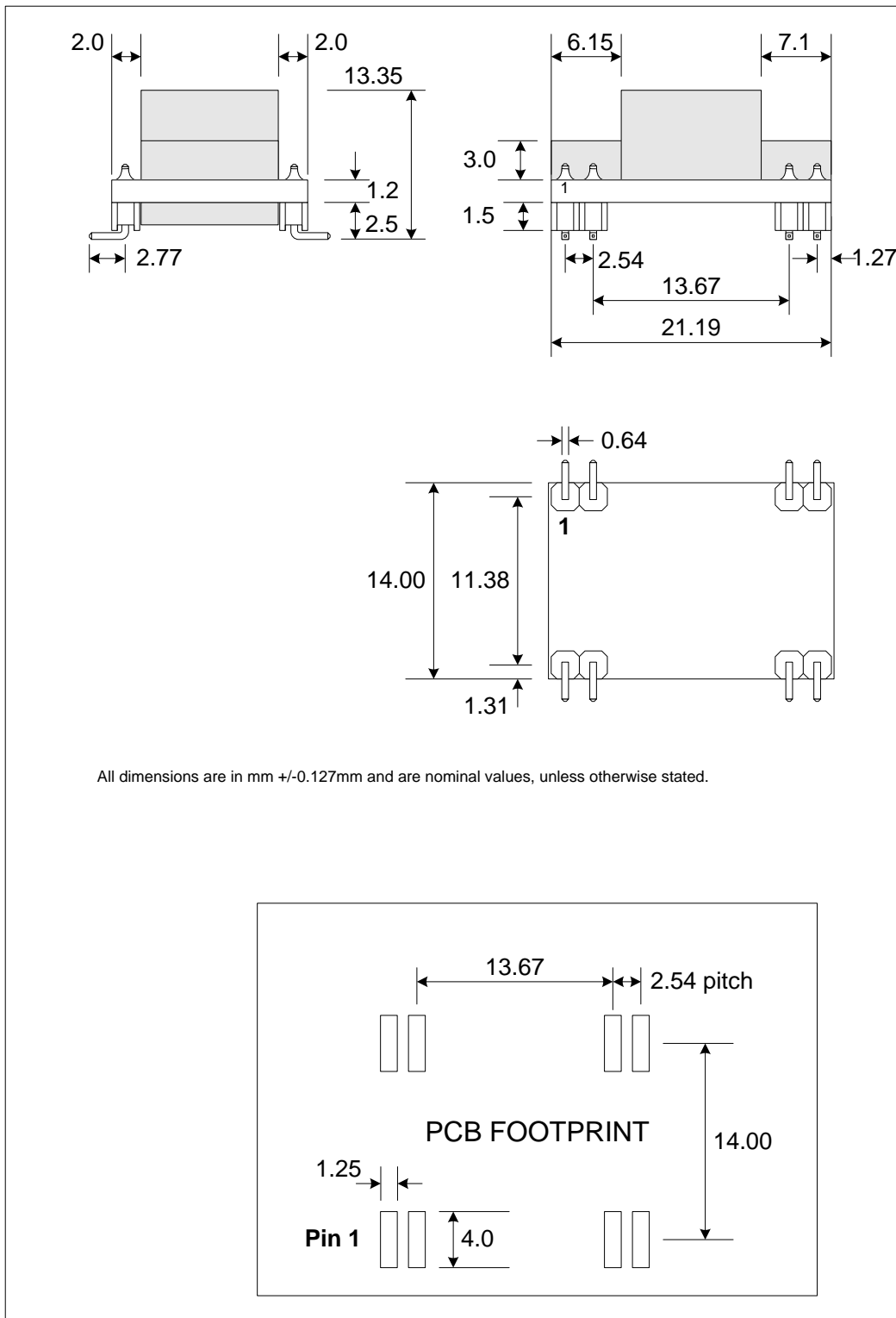
2: Measured with external filter A. The output ripple and noise can be reduced further with external filter B, see Section 5.8.

3: The module can emit an audible noise, if operated at less than the specified minimum I_{LOAD} and cause the PSE to fail its MPS.

4: Electrical characteristics are identical for the Ag9900M and Ag9900MT variants.

5: The Ag9912 output must not exceed 12W.

11. Package



Information published in this datasheet is believed to be correct and accurate. Silver Telecom assumes no liability for errors which may occur or for liability otherwise arising out of use of this information or infringement of patents which may occur as a result of such use. No license is granted by this document under patents owned by Silver Telecom or licensed from third parties by Silver Telecom. The products, their specification and information appearing in this document are subject to change by Silver Telecom without notice.