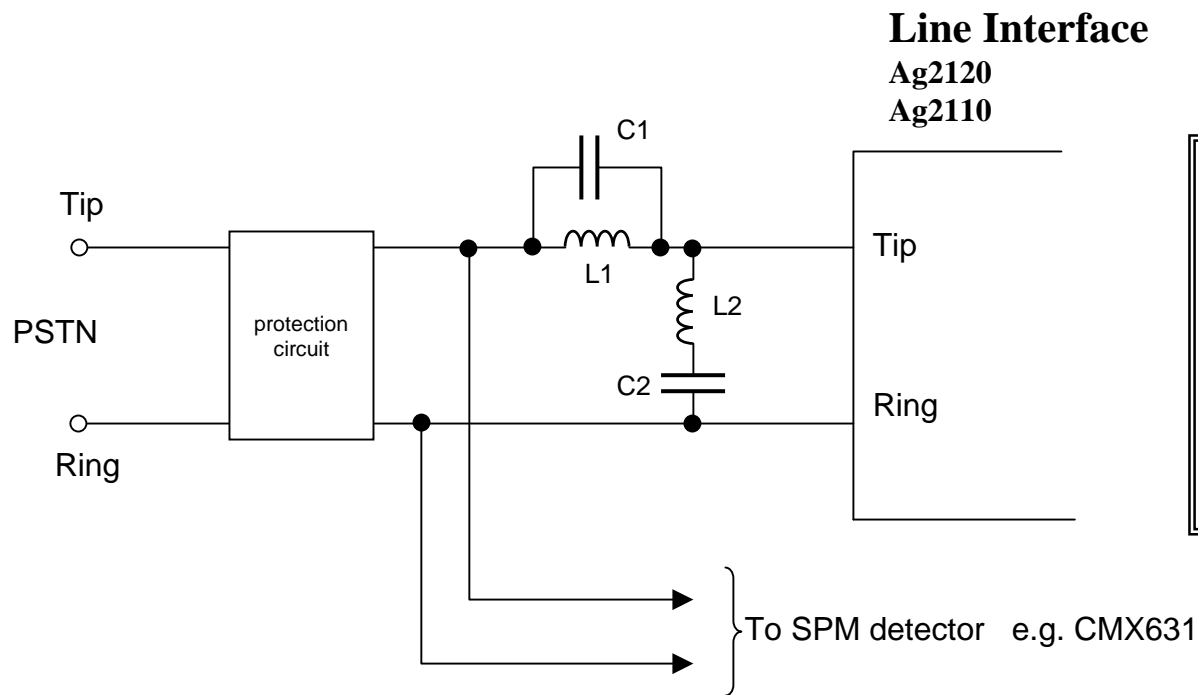


Meter Pulse Reject Filter



<p>For 12kHz Notch Filter C1, C2 = 39nF, 5% L1, L2 = 4.7mH, 5%, eg. Epcos B78108-S</p> <p>For 16kHz Notch Filter C1, C2 = 22nF, 5% L1, L2 = 4.7mH, 5%, eg. Epcos B78108-S</p> <p>Protection circuit depends on application. See Silver Telecom over-voltage application note for information.</p>

(for use with high level meter pulses up to +23dBm/10Vrms)