

# External Class Programming

This application note shows how Class Programming can be added externally to a Silvertel POE PD modules with no internal bridge rectifiers. This includes:

- Ag9400-S
- Ag9600-S
- Ag9700-S
- Ag9700-M
- Ag9800
- Ag9900

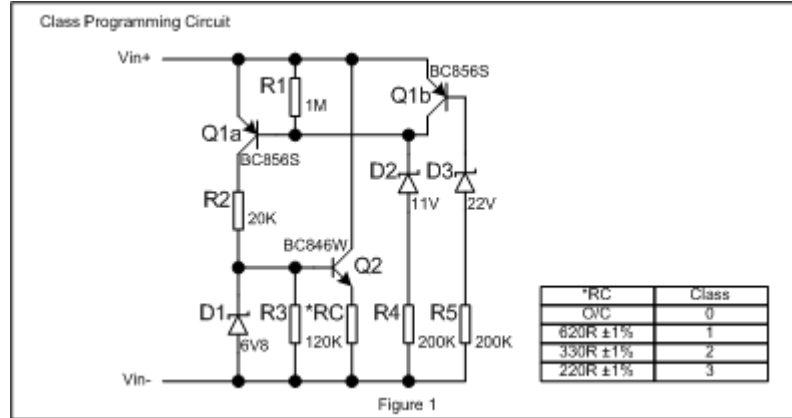
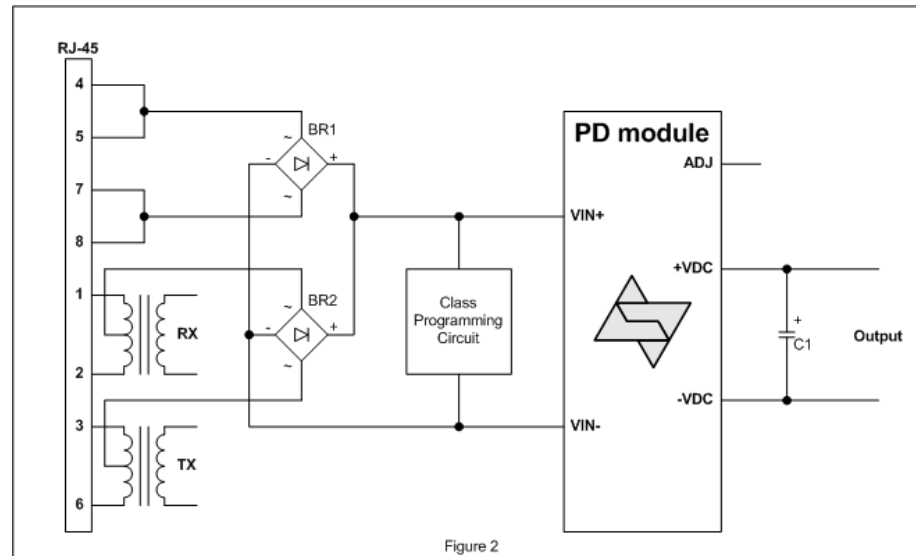


Figure 1 shows the circuit required to add the Class Programming function to a module. The value of RC determines the class programming value, these are detailed in the table. Other than RC all other resistors can have a ±5% tolerance, suitable zeners would be BTZ52C series.

Figure 2 shows how to connect the Class Programming Circuit.



For details on how to connect the external Class Programming Circuit to a PD module variant with internal bridge rectifiers, please contact Silver Telecom Ltd.