

# Ag5300 and Ag9x12-S Dual Footprint



The Ag5300 IEEE802.3at module has the same number of pins (with the same pitch), as the following IEEE802.3af modules – Ag9412-S, Ag9612-S and Ag9712-S.

But because the Ag5300 has the extra AT detect output, the pin functionality had to be changed slightly to accommodate this.

However, it is possible to design a board that will accept any of these modules using one footprint; this is shown in Figure 1.

Pin 3 on the Ag5300 module is the AT-DET output; but on the other modules this pin is VIN+ input (internally connected to pin 1). So for an IEEE802.3at system, an Ag5300 module would be fitted along with Opto 1. For an IEEE802.3af system, either an Ag9412-S, Ag9612-S or an Ag9712-S would be fitted, but Opto 1 must NOT be fitted.

On the Ag5300 pins 4, 5 & 6 all have internal connections, so these pins must not to be connected externally.

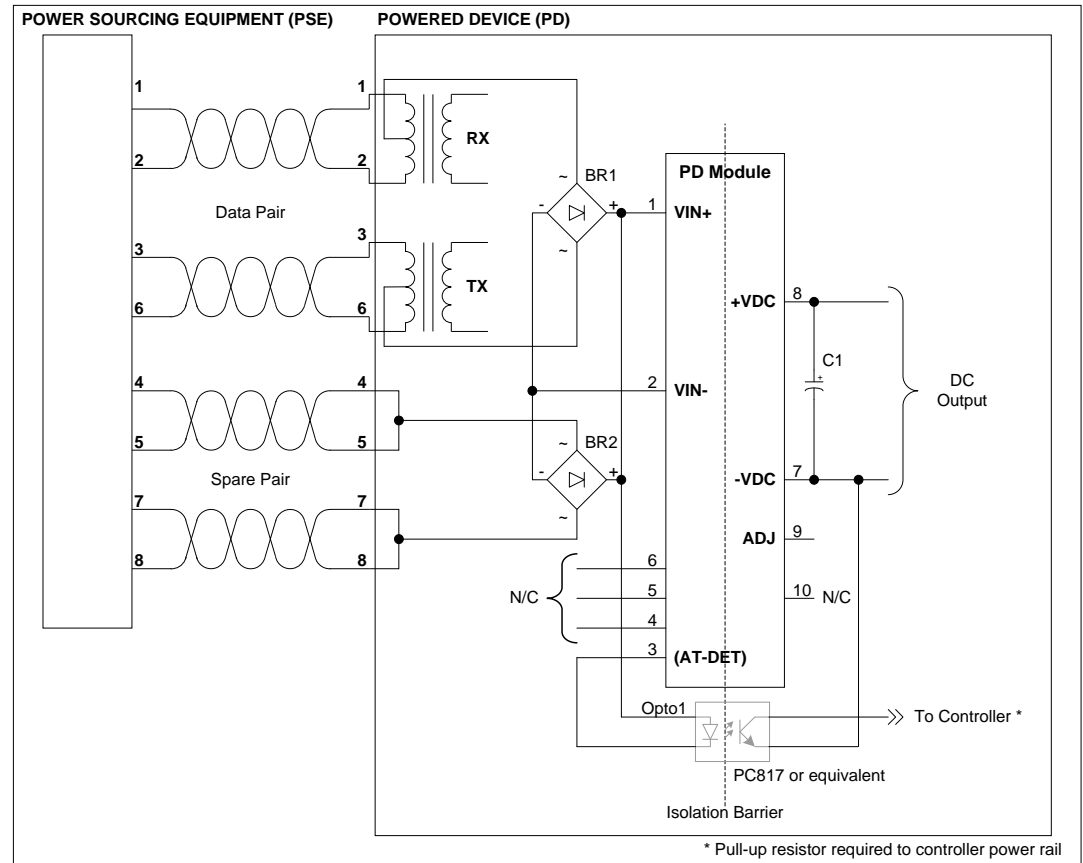


Figure 1