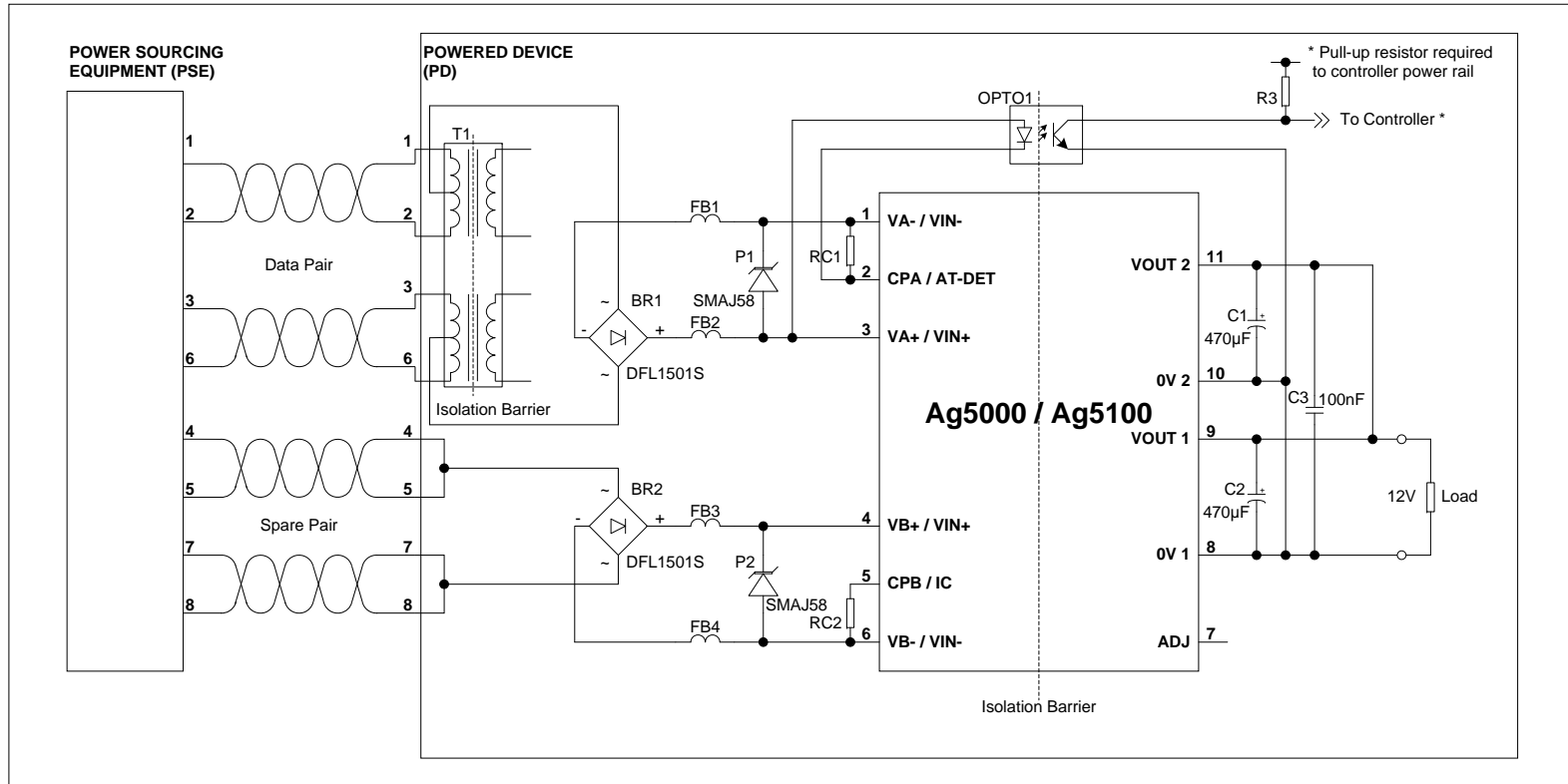


## Ag5000 – Ag5100 Dual Configuration



The circuit above shows the components required to layout a board that will accept either an Ag5000 or an Ag5100 module.

Common components :- T1, BR1, BR2, FB1 to 4 (if required for EMC), P1, P2, C1 to 3 and R3

Ag5000 only :- RC1 and RC2 (these are optional for IEEE802.3af Classification Programming)

Ag5100 only :- OPTO1