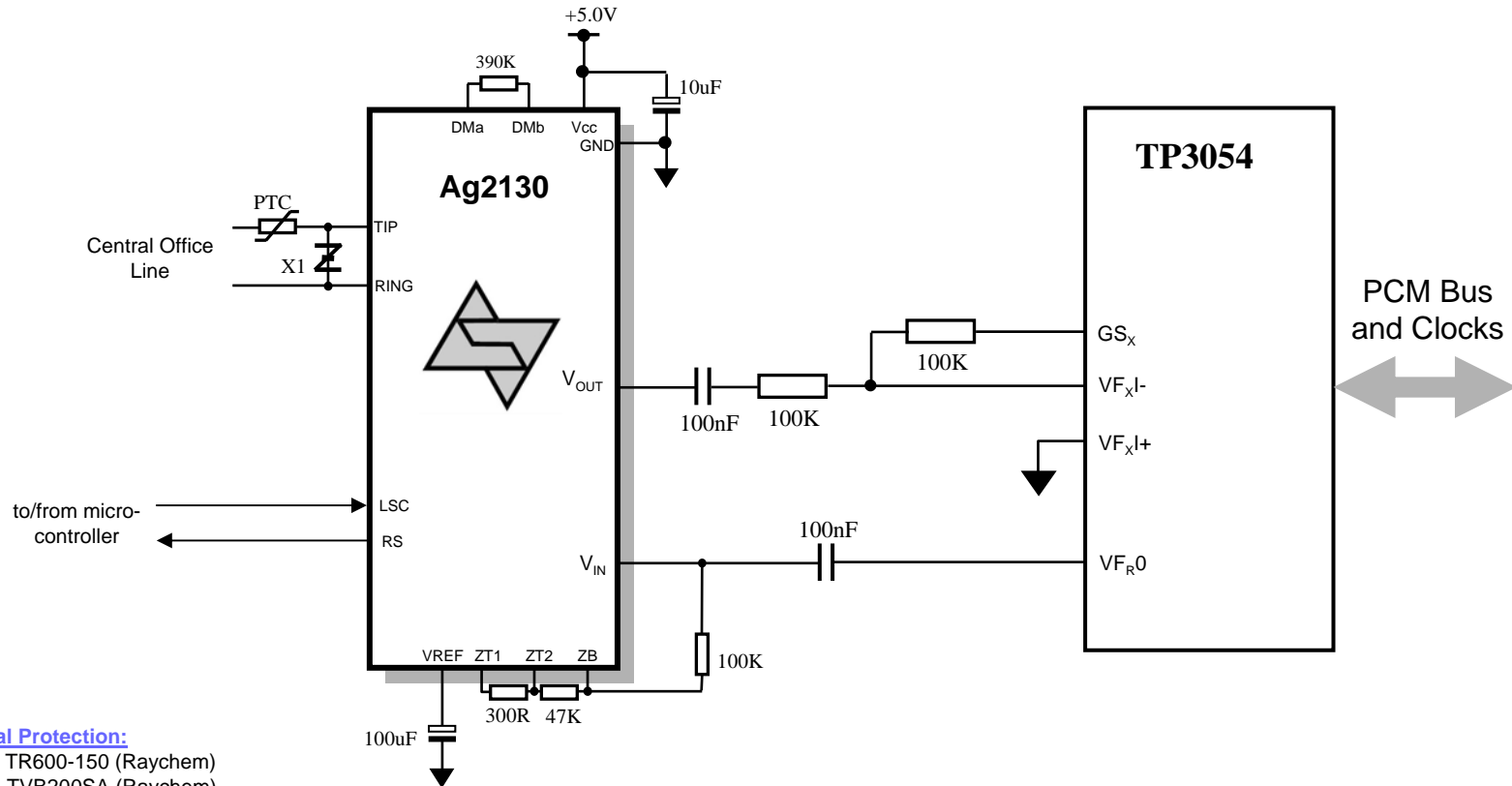


Interfacing Ag2130 to TP3054



Typical Protection:
 PTC: TR600-150 (Raychem)
 X1: TVB200SA (Raychem)
 (for other recommended protection see:
www.silvertel.com/AppsNotes/ANX-Overvolt1v2-10.pdf)