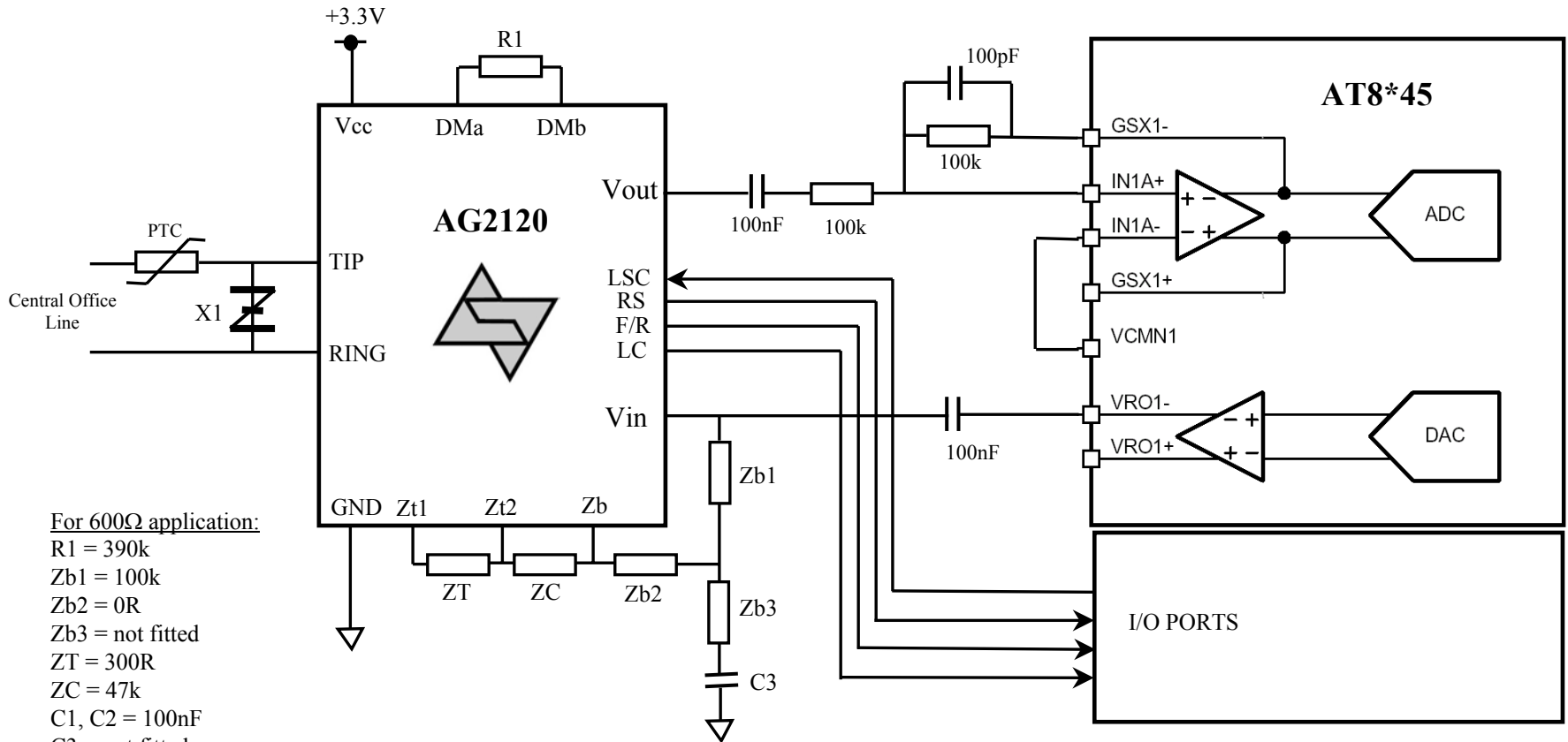


Interfacing AG2120 to Atelic CODEC



For 600Ω application:

- R1 = 390k
- Zb1 = 100k
- Zb2 = 0R
- Zb3 = not fitted
- ZT = 300R
- ZC = 47k
- C1, C2 = 100nF
- C3 = not fitted

Typical Protection:

- PTC: TR600-150 (Raychem)
- X1: TVR200SA (Raychem)