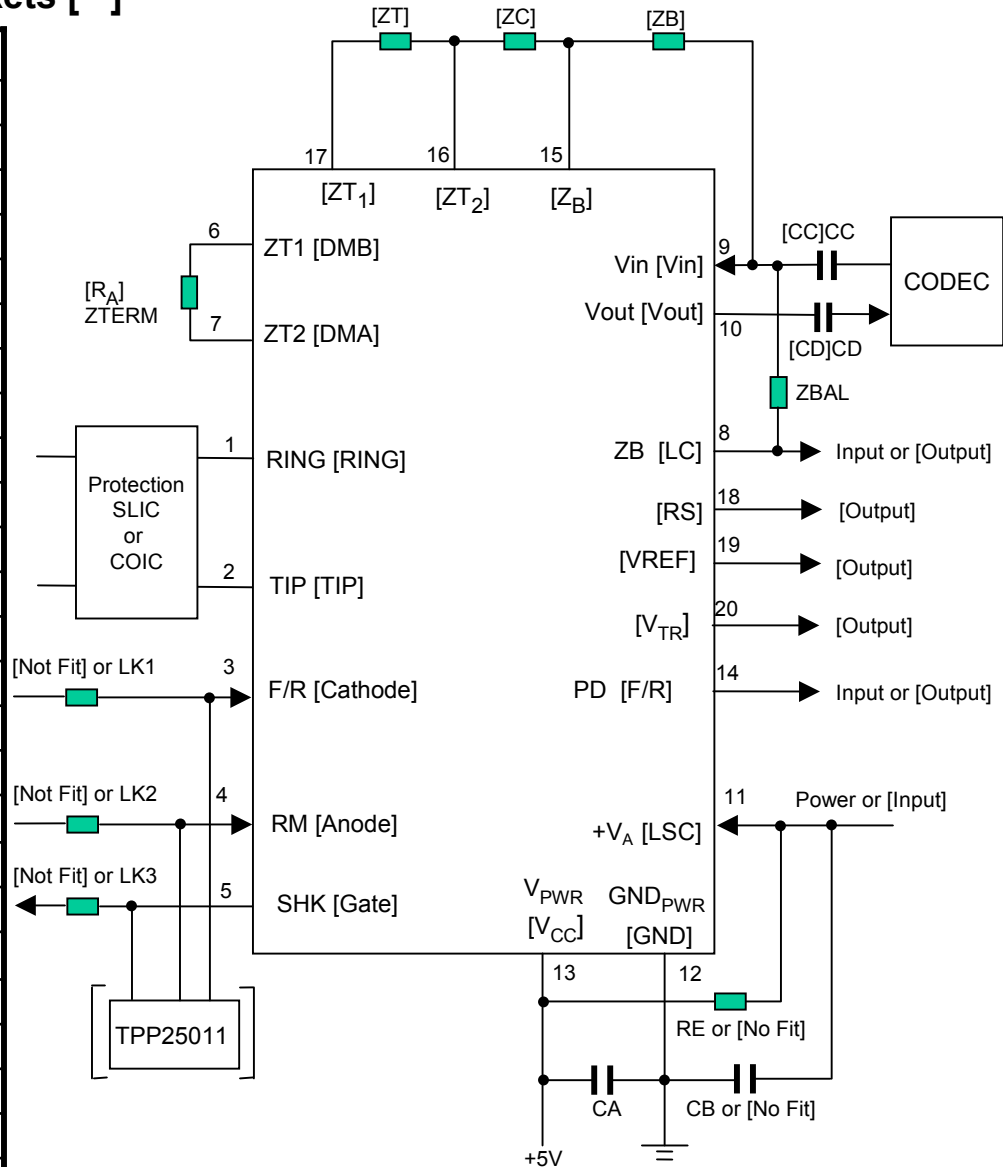


Dual Layout of Ag2120S & Ag1170S



COIC connections and components are shown in brackets []

Pin Outs	
1170S SLIC	2120S COIC
RING	[RING]
TIP	[TIP]
F/R	[Cathode]
RM	[Anode]
SHK	[Gate]
ZT1	[DMB]
ZT2	[DMB]
-	-
-	-
-	-
-	-
ZB	[LC]
VIN	[VIN]
VOUT	[VOUT]
+V _A	[LSC]
GND _{PWR}	[GND]
V _{PWR}	[V _{CC}]
PD	[F/R]
-	[Z _B]
-	[Z _{T2}]
-	[Z _{T1}]
-	[RS]
-	[VREF]
-	[VTR]



Notes

- LK1,2,3 are 1206 0R links for SLIC. Isolation Barrier (1.5mm Basic) requires these are not fitted for COIC.
- Pin 15 to 20 are not fitted on the SLIC.
- Only fit ZTERM/ZBAL for Ag1170P (programmable SLIC)
- COIC protection TPP25011 is optional