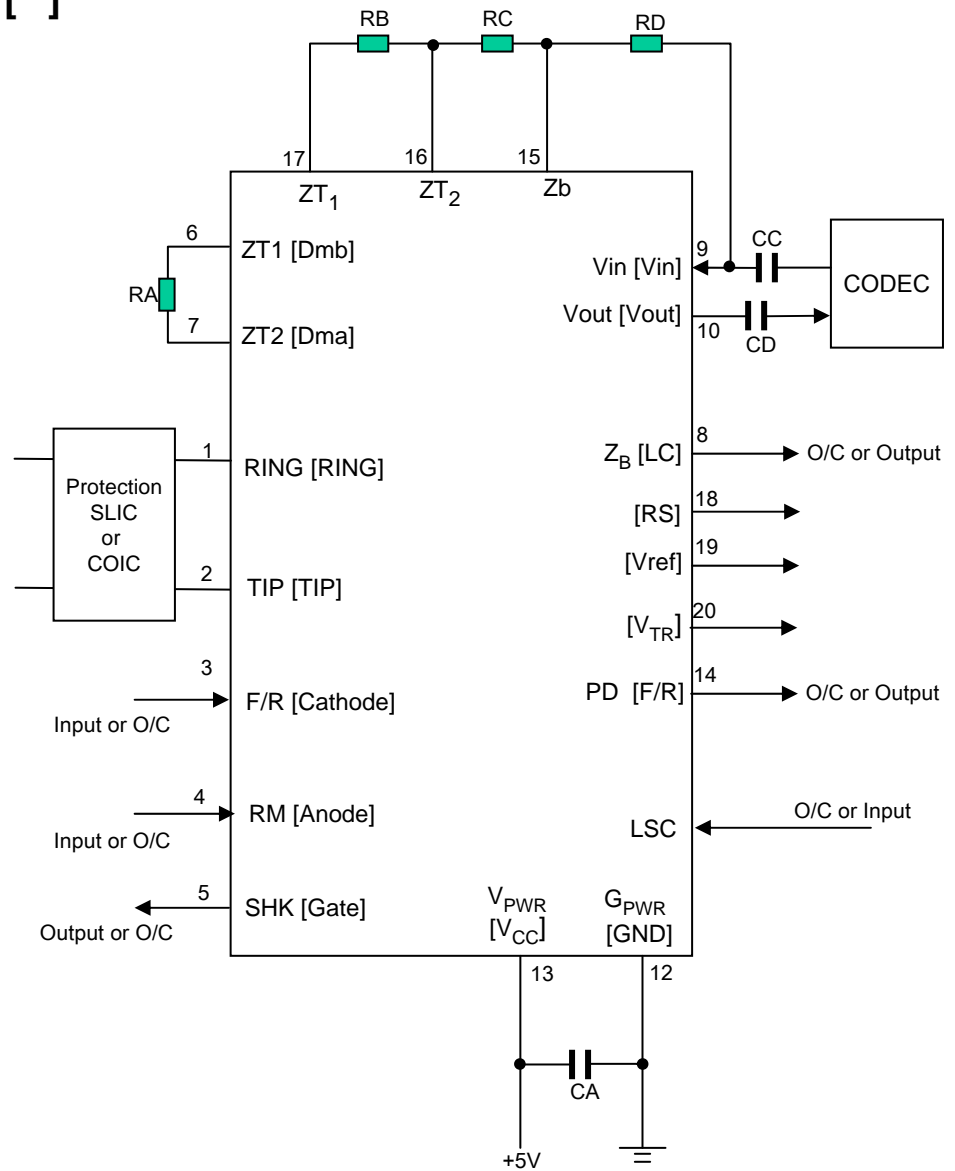


AN2120-25: Dual Layout of Ag2120S & Ag1171S



COIC connections are shown in brackets []

Pin Outs	
1171S SLIC	2120S COIC
RING	[RING]
TIP	[TIP]
F/R	[Cathode]
RM	[Anode]
SHK	[Gate]
-	[Dmb]
-	[Dma]
-	-
-	-
-	[LC]
Vin	[Vin]
Vout	[Vout]
-	[LSC]
G _{PWR}	[GND]
V _{PWR}	[Vcc]
PD	[F/R]
-	[Zb]
-	[ZT ₂]
-	[ZT ₁]
-	[RS]
-	[Vref]
-	[Vtr]



Notes

- Don't fit RA for SLIC.
- PD shown as O/C (may need to connect this)
- Pins 15 to 20 are not fitted on the SLIC.