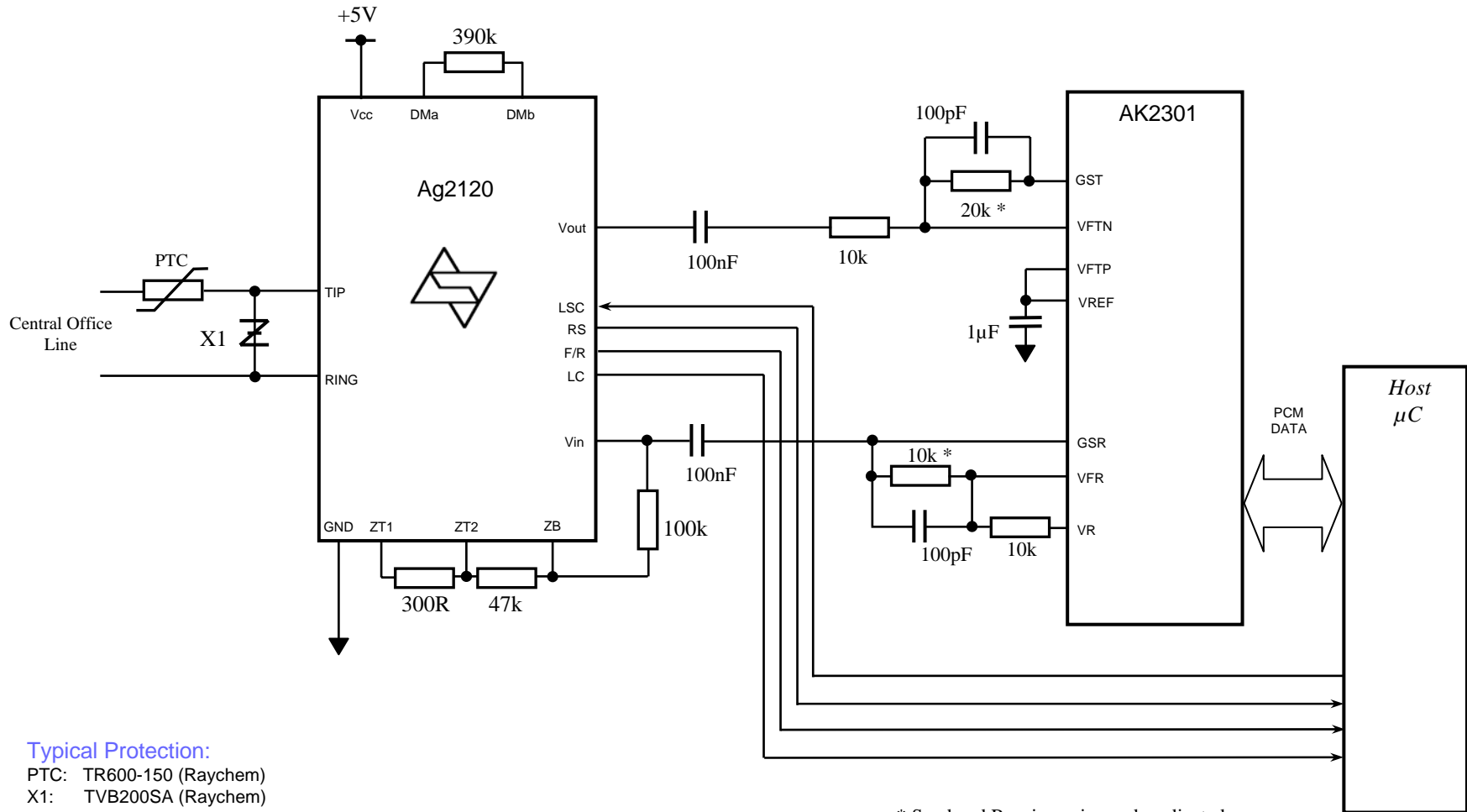


Interfacing Ag2120 to AK2301



Typical Protection:

PTC: TR600-150 (Raychem)
 X1: TVB200SA (Raychem)

* Send and Receive gain can be adjusted by varying these resistor values