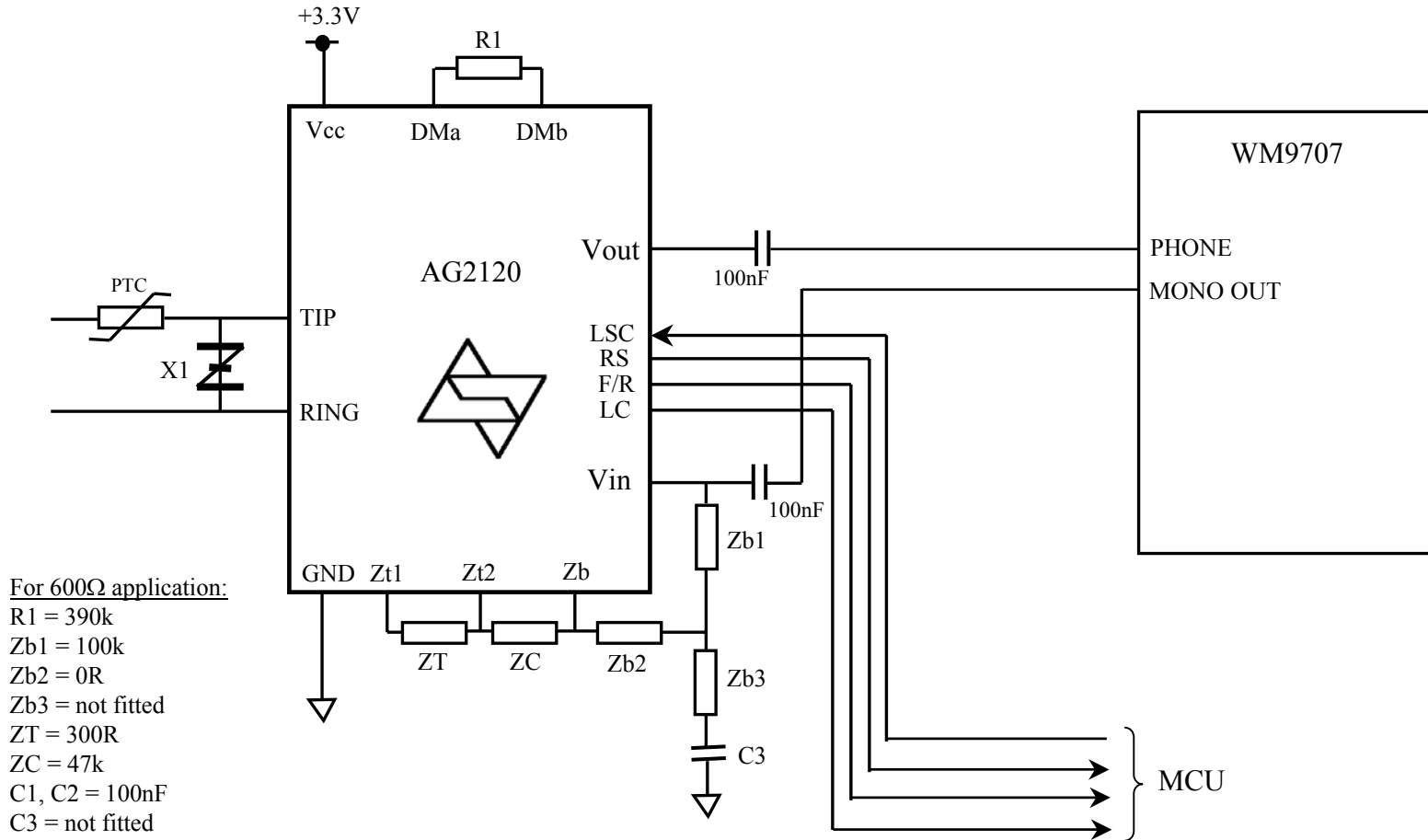


# Interfacing AG2120 to Wolfson WM9707



Typical Protection:  
 PTC: TR600-150 (Raychem)  
 X1: TVB200SA (Raychem)