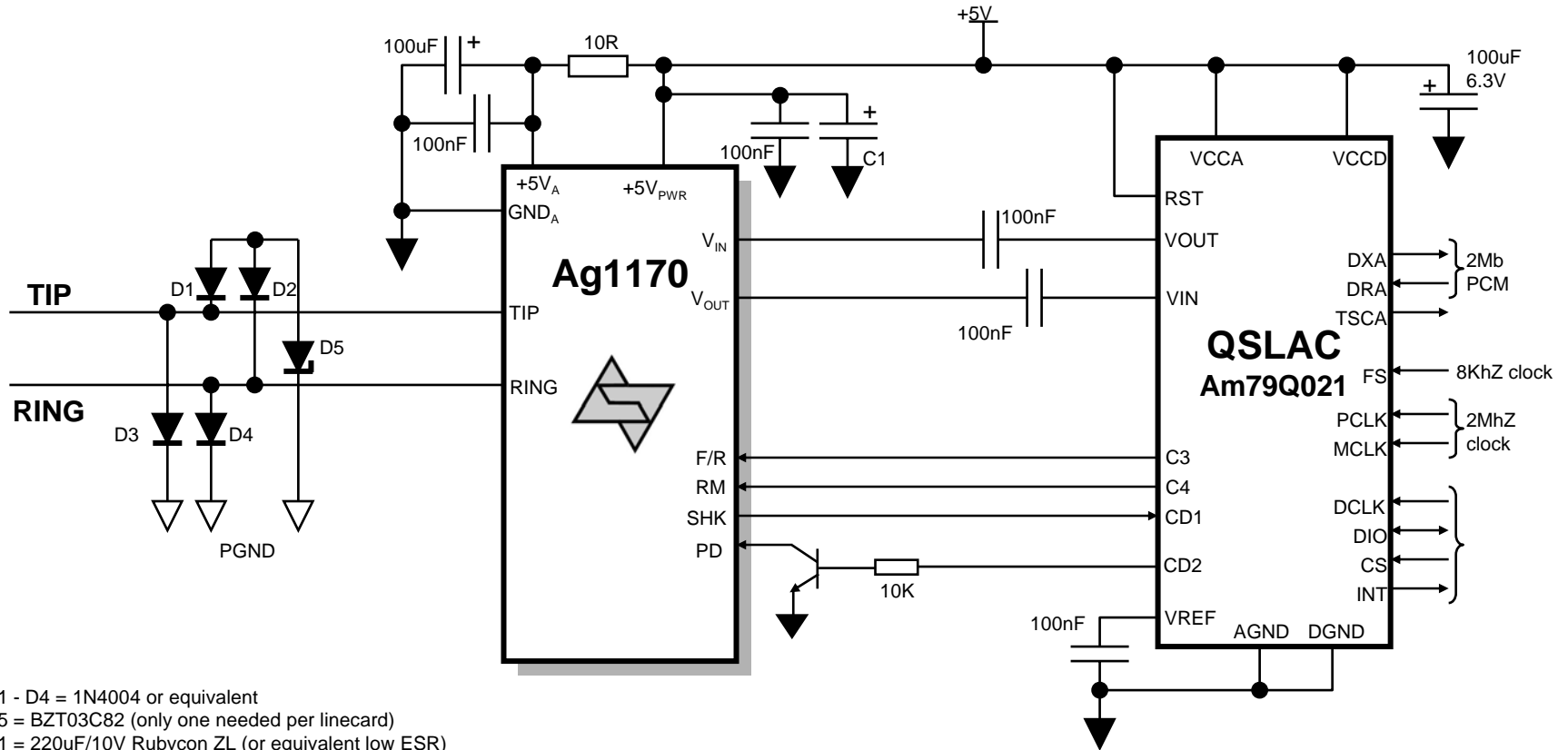


Interfacing Ag1170 to QSLAC Am79Q021



D1 - D4 = 1N4004 or equivalent
 D5 = BZT03C82 (only one needed per linecard)
 C1 = 220uF/10V Rubycon ZL (or equivalent low ESR)
 0V = +5V return

Am79Q021 is a quad device and supports four Ag1170 SLIC's. Only one channel is shown for clarity.