

During Power Up the RM pin must be held low. Failure to do so may result in damage to the integral DC/DC converter on the module. Figure 1 shows a typical configuration where the RM pin is driven from a controller. When the controller output is configured it must be programmed high to ensure that the RM pin stays low and ringing is disabled.

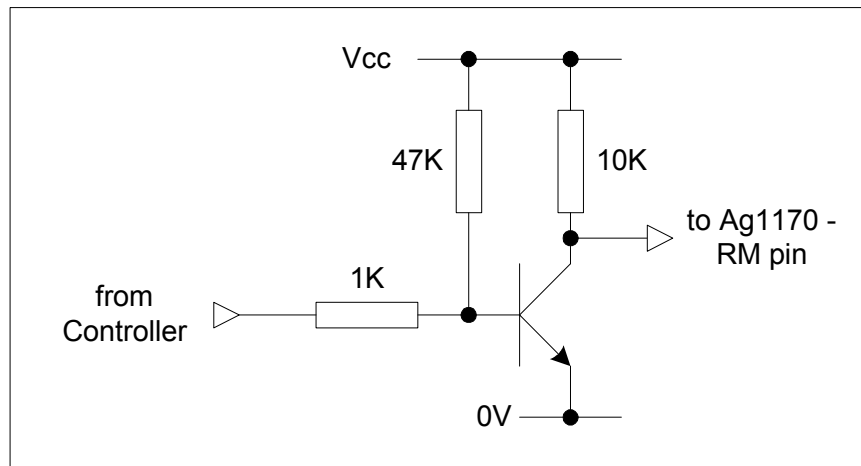


Figure 1: RM Control