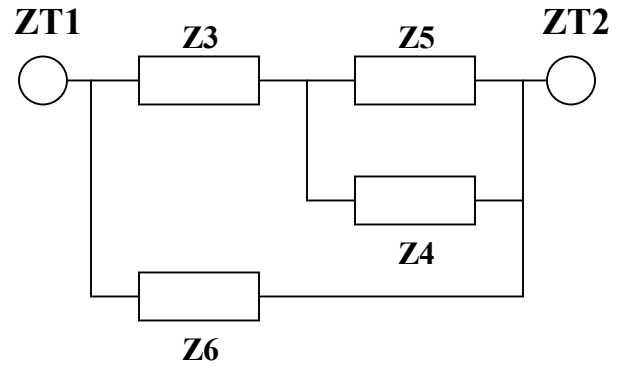


Network Balance



Terminal Impedance

NOTE: ZB, V_{IN}, ZT1 and ZT2 are pin connections for the Ag1170P interface. See Ag1170 datasheet for more details.

Line Impedance	Network Balance	Country	Z _{TERM} Network				Z _{BAL} Network	
			Z3	Z4	Z5	Z6	Z1	Z2
600R	600R	various	0R	N/F	62k	N/F	100k	47nF
600R+2.16uF	600R+2.16uF	USA	22nF	N/F	62k	470k	100k	47nF
370R+620R//310nF	370R+620R//310nF	NZ, India	36k	3nF	30k	N/F	100k	47nF
220R+820R//115nF	220R+820R//115nF	S. Africa	22k	1.2nF	82k	N/F	100k	47nF
900R	900R	Brazil, etc	0R	N/F	91k	N/F	100k	47nF
150R+830R//72nF	150R+830R//72nF		15k	750pF	82k	N/F	100k	47nF
180R+910//150nF	180R+910//150nF		18k	1.5nF	91k	N/F	100k	47nF
200R+560R//0.1uF	200R+560R//0.1uF	China	20k	1nF	56k	N/F	100k	47nF
270R+750R//150nF	270R+750R//150nF	CTR21	27k	1.5nF	75k	N/F	100k	47nF
150R+510R//47nF	150R+510R//47nF		15k	470pF	51k	N/F	100k	47nF
215R+1k//137nF	215R+1k//137nF		22k	1.5nF	100k	N/F	100k	47nF
600R//30nF	600R//30nF	Sweden	0R	300pF	61k	N/F	100k	47nF
300R+360R//660nF	300R+360R//660nF		30k	6.8nF	36k	N/F	100k	47nF

NOTE: N/F means component is not fitted in this position.