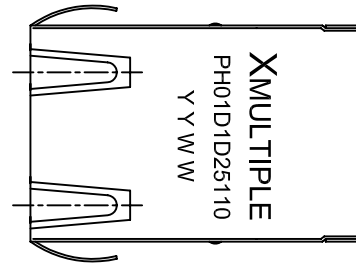
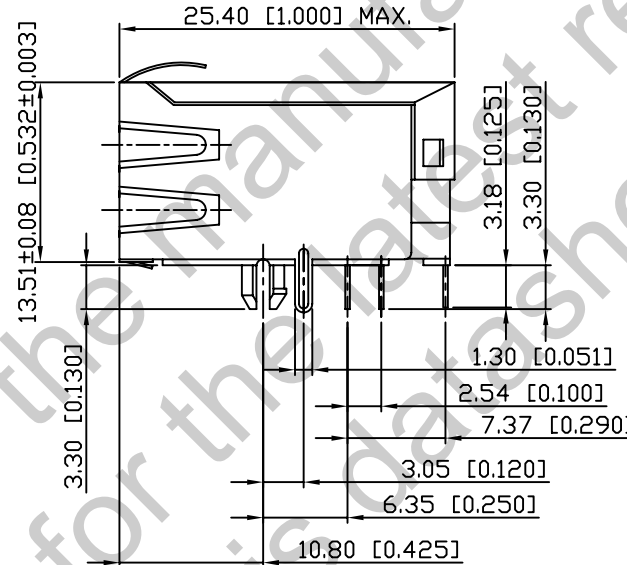
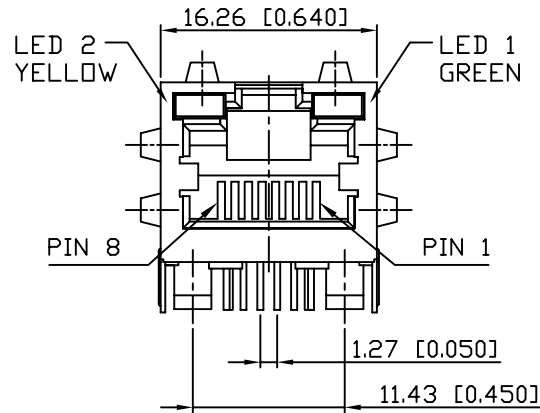


1. MECHANICAL DIMENSIONS :

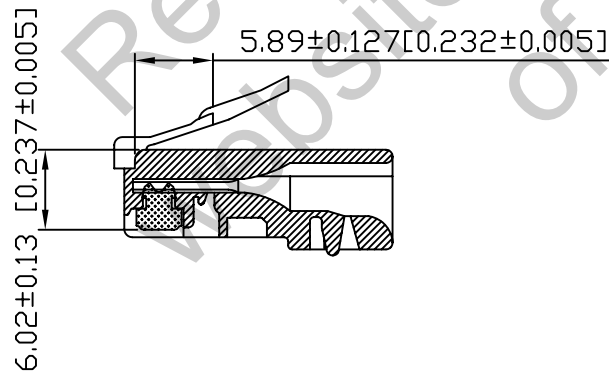


NOTES:

1. MATERIAL:
HOUSING-NYLON POLYESTER UL94V-0
MIXED GLASS FIBER.
STANDARD COLOR-BLACK
CONTACTS-0.35mm THICK PHOS-BRONZE PLATED
WITH 30u" GOLD AND TIN IN
SOLDER AREA.
SHIELD-0.20mm THICK COPPER ALLOY,
PLATED WITH NICKEL.
2. CAVITY CONFORMS TO FCC RULES AND REGULATIONS
PART 68,SUBPART F.
3. UNSPECIFIED TOLERANCE: .XX ±0.25[0.010]
.X ±0.30[0.012]



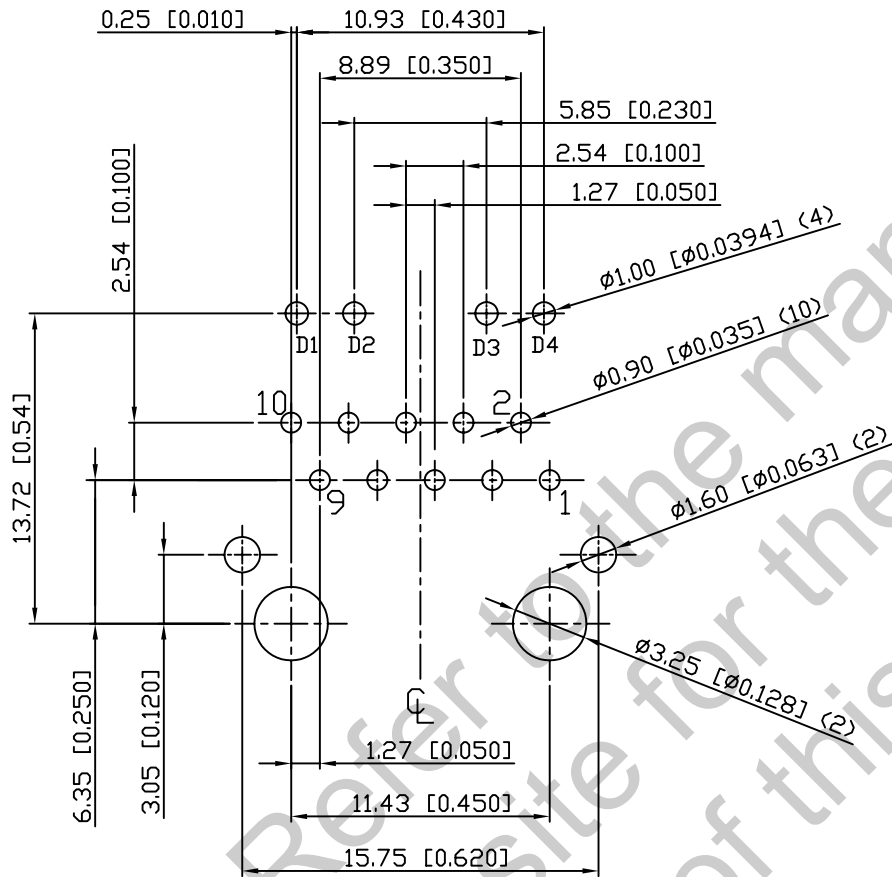
RECOMMENED PLUG DIMENSION:



RoHS Compliant

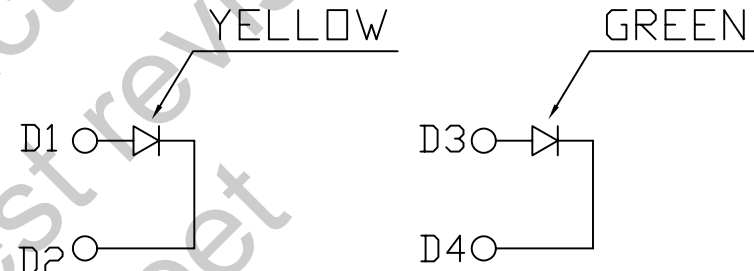
X MULTIPLE		CONNECTING THE INFORMATION AGE	
XMULTIPLE ASIA 4F, No. 347, Yang Guang St., Neihu Chu, Taipei, Taiwan 11475		XMULTIPLE USA 1420 Los Angeles Ave., Suite G, Simi Valley, CA 93065	
THIS DRAWING IS A CONTROLLED DOCUMENT.		G/NO:	
TITLE: RJ45, W/LED, with 10/100 Mbps Filter 8P,10C, Shielded, Thru Hole, FOR PoE.		DWG NO: XPJH-01D-1-D25-110	
PART NO: XPJH-01D-1-D25-110		DRAWN: TARA	
		CHKD: JEFF	
		DATE: Aug.29,06	
UNIT		SHEET	REV
mm[inch]		1 of 3	02

2. PCB LAYOUT :




SUGGESTED PCB LAYOUT
(TOP VIEW)

3. LED CONFIGURATION :



Color	Lens Color	Vf(v) @20mA		Iv(mcd) @10mA		Viewing angle
		Min	Max	Min	Typ	
Yellow	Yellow Diffused	1.7	2.8	3.0	6.0	2θ 1/2 116
Green	Green Diffused	1.7	2.8	3.5	6.0	116

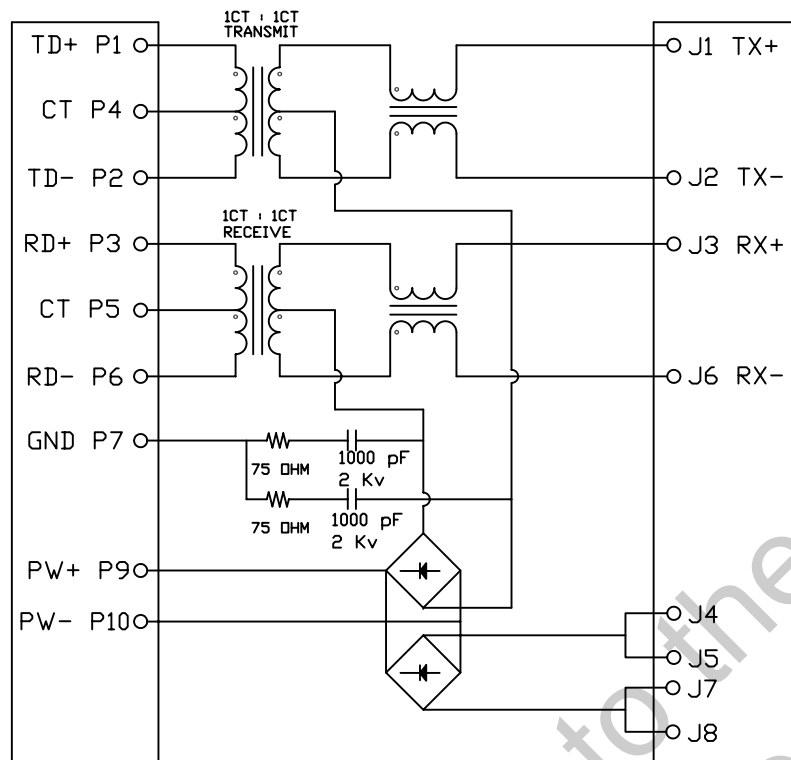
RoHS Compliant

X MULTIPLE		CONNECTING THE INFORMATION AGE	
XMULTIPLE ASIA 4F, No. 347, Yang Guang St., Neihu Chu, Taipei, Taiwan 11475		XMULTIPLE USA 1420 Los Angeles Ave., Suite G, Simi Valley, CA 93065	
THIS DRAWING IS A CONTROLLED DOCUMENT.		G/NO:	
TITLE: RJ45, W/LED, with 10/100 Mbps Filter 8P,10C, Shielded, Thru Hole, FOR PoE.		DWG NO: XPJH-01D-1-D25-110	
PART NO: XPJH-01D-1-D25-110		DRAWN: TARA	
		UNIT mm[inch]	SHEET 2 of 3
		REV 02	CHKD: JEFF
		DATE: Aug.29,06	

4. SCHEMATIC :

CONNECTOR SOLDER SIDE

RJ45 CONTACT SIDE



XPJH-01D-1-D25-110

PRODUCT SERIES
XPJH : LATCH UP AND STACKED
FOR PoE TYPE

NUMBER OF PORTS
01 : 1 PORT

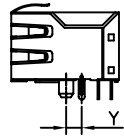
MECHANICAL TYPE
D : LENGTH=25.4mm,
STRAGGERED PINS

LED COLOR OPTION

PROTOCOL TYPE
D : 10/100, 4 CORE

SPECIAL CODE
0 : STANDARD

SHIELDED TYPE
1 : Y=3.05mm, EMI FINGER
ON ALL SIDE

LED POLARITY
1 : +-, +-


CIRCUIT TYPE

5. ELECTRICAL CHARACTERISTICS :

TEST NOTES:($25 \pm 5^\circ\text{C}$)

1.TR:(100KHz,0.1V);

PINS:(P1-P2):(J1-J2)= $1:1 \pm 3\%$

PINS:(P3-P6):(J3-J6)= $1:1 \pm 3\%$

2.LX:(100KHz,100mV,8mA, DC Bias)

PINS:(P1,P2),(P3,P6)=350uH MINIMUM

3.DCR:

PINS:(J1-J2),(J3-J6)= 1.2 OHMS MAXIMUM

4.HIPOT:

PINS(P1,P4,P2)TO(J1,J2)=1500VAC FOR 60 SECONDS

PINS(P3,P5,P6)TO(J3,J6)=1500VAC FOR 60 SECONDS

5.INSERTION LOSS:

-1.0dB MAXIMUM AT 0.3MHz TO 100MHz;

6.RETURN LOSS:

-20dB MINIMUM AT 1MHz TO 30MHz;

-15dB MINIMUM AT 30MHz TO 60MHz

-10dB MINIMUM AT 60MHz TO 80MHz

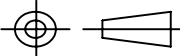
7.CROSS TALK:

-30dB MINIMUM AT 1MHz TO 100MHz

8.COMMON TO COMMON MODE REJECTION:

-30dB MINIMUM AT 1MHz TO 100MHz

RoHS Compliant

X MULTIPLE		CONNECTING THE INFORMATION AGE	
MULTIPLE ASIA 4F, No. 347, Yang Guang St., Neihu Chu, Taipei, Taiwan 11475		MULTIPLE USA 1420 Los Angeles Ave., Suite G, Simi Valley, CA 93065	
THIS DRAWING IS A CONTROLLED DOCUMENT.		G/NO:	
TITLE: RJ45, W/LED, with 10/100 Mbps Filter 8P,10C, Shielded, Thru Hole, FOR PoE.		DWG NO: XPJH-01D-1-D25-110	
PART NO: XPJH-01D-1-D25-110		DRAWN: TARA	
		CHKD: JEFF	
		DATE: Aug.29,06	
UNIT mm[inch]	SHEET 3 of 3	REV 02	