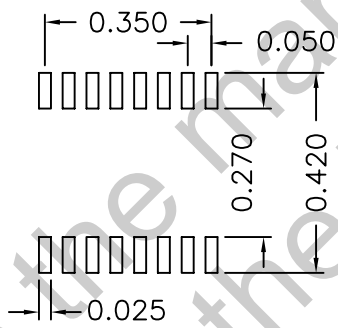
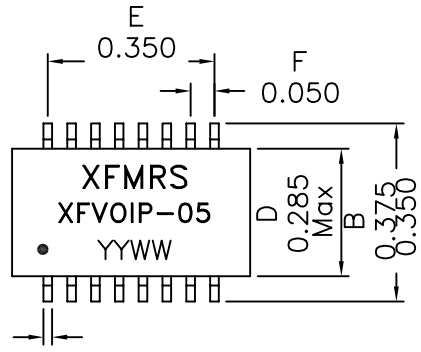
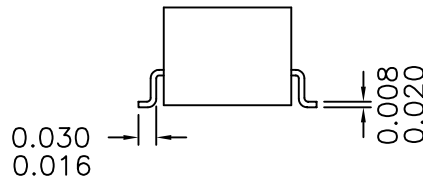
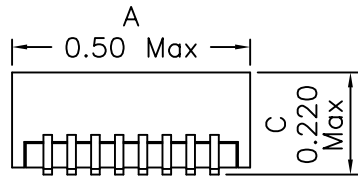


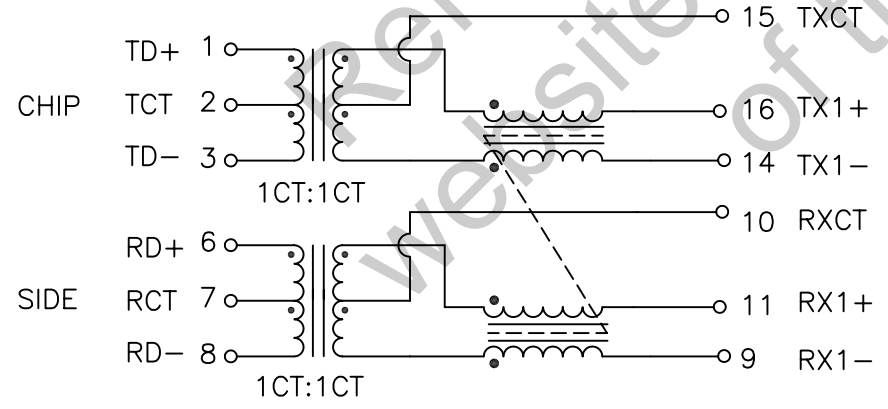
1. Mechanical Dimensions:



0.018±0.002

SUGGESTED FOOTPRINT

2. Schematic:



DOC REV: A/6

3. Electrical Specifications: @25°C

- Isolation Voltage: 1500Vac
- OCL: Pins 6-8 350uH Min @100KHz 0.1V, 8mA_{dc}
- OCL: Pins 1-3 350uH Min @100KHz 0.1V, 8mA_{dc}
- Insertion Loss: 1.2dB Max @1-100 MHz
- Return Loss: 1-3MHz 40MHz 50MHz 60-80MHz
16dB 14dB 13dB 12dB (Min)
- Differential to Common Mode Rejection:
30MHz 60MHz 100MHz
50dB 43dB 35dB (Min)
- Cross Talk: 30MHz 60MHz 100MHz
43dB 37dB 33dB (Min)
- DC Current: 350mA

Notes:

1. Solderability: Leads shall meet MIL-STD-202, Method 208D for solderability.
2. Flammability: UL94V-0
3. ASTM oxygen index: > 28%
4. Temperature rating: 155°C. UL file E151556
5. Operating Temperature Range: All listed parameters are to be within tolerance from -40°C to +85°C

XFMRs Inc	Title: 10/100TX VOICE OVER IP MAGNETICS MODULES	
	UNLESS OTHERWISE SPECIFIED TOLERANCES: .xxx ±0.010 Inch Dimensions in Inch	
	P/N: XFVOIP-05	REV. A
	DWN.	Kang Chen Oct-15-03
CHK.	YK Liao Oct-15-03	
APP.	Isaiah M Oct-15-03	
SCALE 2.5:1 SHT 1 OF 1		