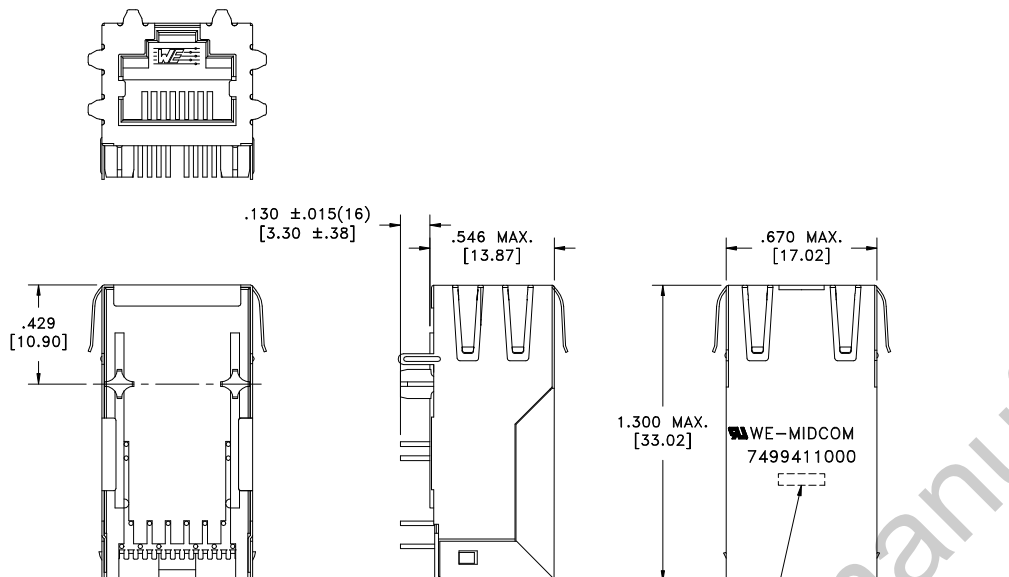


CUSTOMER TERMINAL	RoHS	LEAD(Pb)-FREE
Sn100%	Yes	Yes



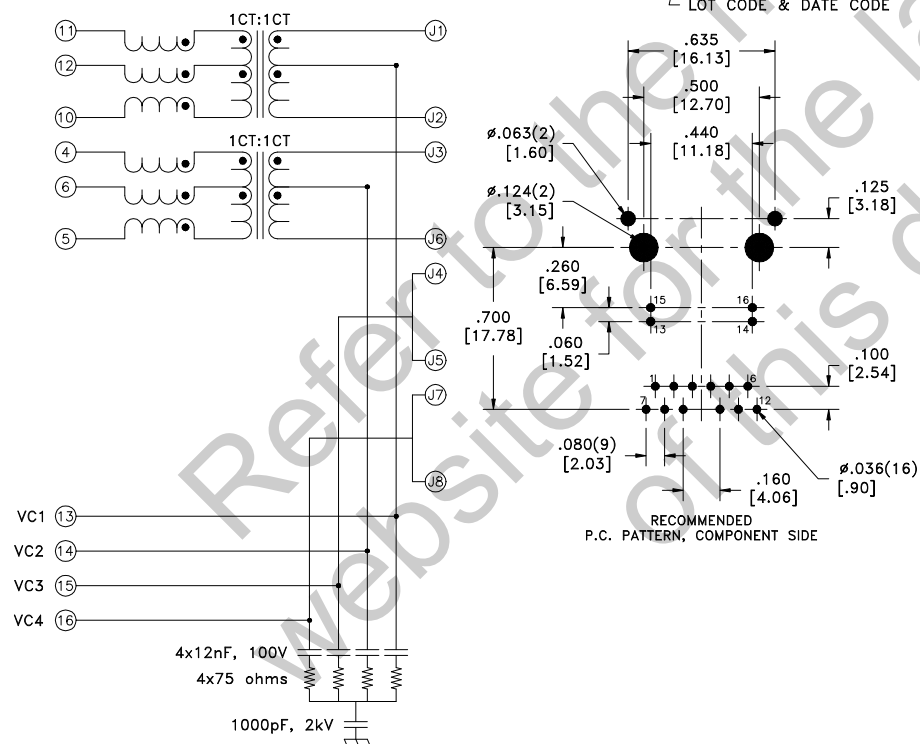
ELECTRICAL SPECIFICATIONS @ 25°C unless otherwise noted:

PARAMETER	TEST CONDITIONS	VALUE
INDUCTANCE	J1-J2 100kHz, 100mVAC, 18mADC, Lp	350uH min.
INDUCTANCE	J3-J6 100kHz, 100mVAC, 18mADC, Lp	350uH min.
DIELECTRIC	PRI-SEC	1500Vrms/2250VDC 1 minute
TURNS RATIO	Per schematic	-
INSERTION LOSS	1M - 100MHz	-1.0dB max.
RETURN LOSS	1M - 30MHz	-18dB min.
RETURN LOSS	30M - 45MHz	-16dB min.
RETURN LOSS	45M - 60MHz	-14dB min.
RETURN LOSS	60M - 80MHz	-12dB min.
CROSSTALK	1M - 100MHz	-30dB typ.
COMMON MODE REJECTION	1M - 100MHz	-35dB min.



GENERAL SPECIFICATIONS:

OPERATING TEMPERATURE RANGE: 0°C to +70°C.
Designed to handle 600mADC and meet 802.3at.



REV.	DATE
6A	10/08

Packaging Specifications
Method: Tray
PKG-0573
www.midcom-inc.com

Unless otherwise specified:
Tolerances: Fractions: $\pm 1/64$
Angles: $\pm 1^\circ$ Decimals: ± 0.10 [.25]
This drawing is dual dimensioned. Dimensions in brackets are in millimeters.

DRAWING TITLE
TRANSFORMER
10/100 Mbs & PoE+
eiSos p/n: 7499411000



DRAWING NO.
7499411000
REVISIONS: SEE SHEET 1
SCALE ---
SHEET 2 OF 7

AGENCY NUMBER
UL60950-1 E205930