

10/100BASE-TX Single Port Surface Mount Magnetics For POE Application

Electrical Specifications: @25°C

Isolation Voltage: 1500 Vrms (INPUT to OUTPUT)

Turns Ratio: (1-2-3):(16-15-14)=1CT:1CT ±3%

Turns Ratio: (6-7-8):(11-10-9)=1CT:1CT ±3%

OCL: 350uH Minimum @100KHz 100mV 8mADC

Rise Time: 2.5ns Typical

Cw/w: 20pF Typical @100KHz 100mV

Leakage Inductance: 0.4uH Maximum @100KHz 100mV

Insertion Loss (100KHz-100MHz): -1.2dB Maximum

Return Loss: -18dB Minimum @1MHz - 30MHz

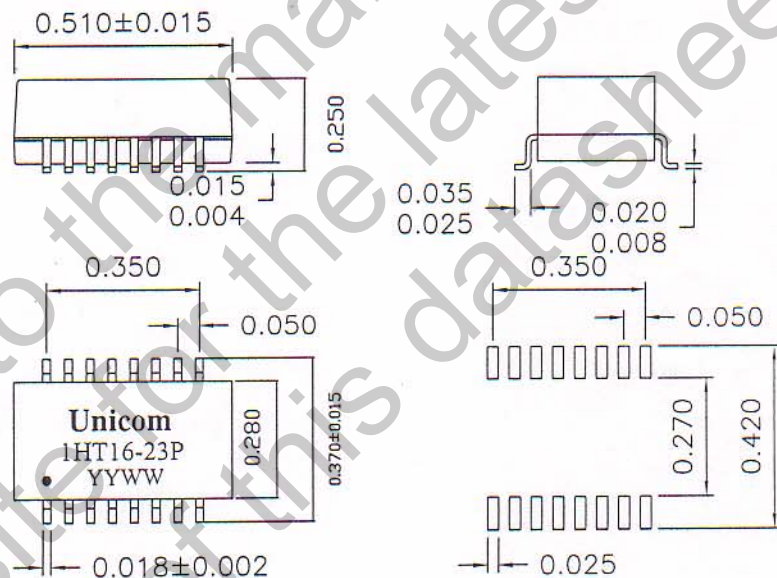
-15dB Minimum @40MHz - 50MHz

-12dB Minimum @60MHz - 80MHz

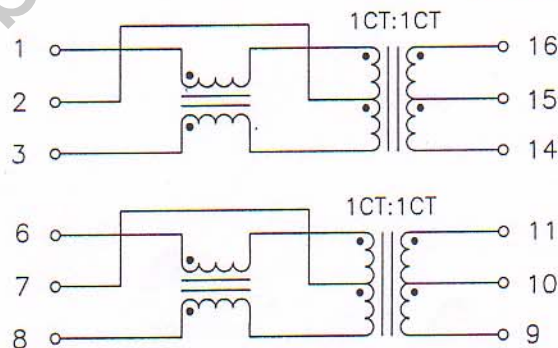
CMRR: -40dB Typical @100KHz -100MHz

Crosstalk: -38dB Minimum @100KHz -100MHz

Mechanicals:



Schematics:



SUGGESTED PCB PAD LAYOUT

P/N: 1HT16-23P	DIMENSIONS IN INCH	Unless otherwise specified Dim. Tolerances are: .xxx ±0.010	REV: B	DRWN: sam DATE: 03-11-21
	SCALE: NONE		PAGE:1/1	APPD: DATE:
Unicom Electronic Corp. • Tel 516-767-8320 • Fax 516-767-7147				