

1x2 Ports RJ45 Connector
with Integrated Magnetics
for 10/100Base-TX PoE application

Part Number:

HR901247A

Electrical Specification @25°C

RoHS Compliant (Pb Free)

Isolation: 1500Vrms 1 minute (P2+P5 to J2+J3)

OCL: 350uH Minimum @100KHz 100mV with 8mADC

Insertion Loss: -1.0dB Maximum @1MHz ~ 100MHz

Return Loss: -18dB Minimum @1MHz ~ 30MHz

-16dB Minimum @30MHz ~ 45MHz

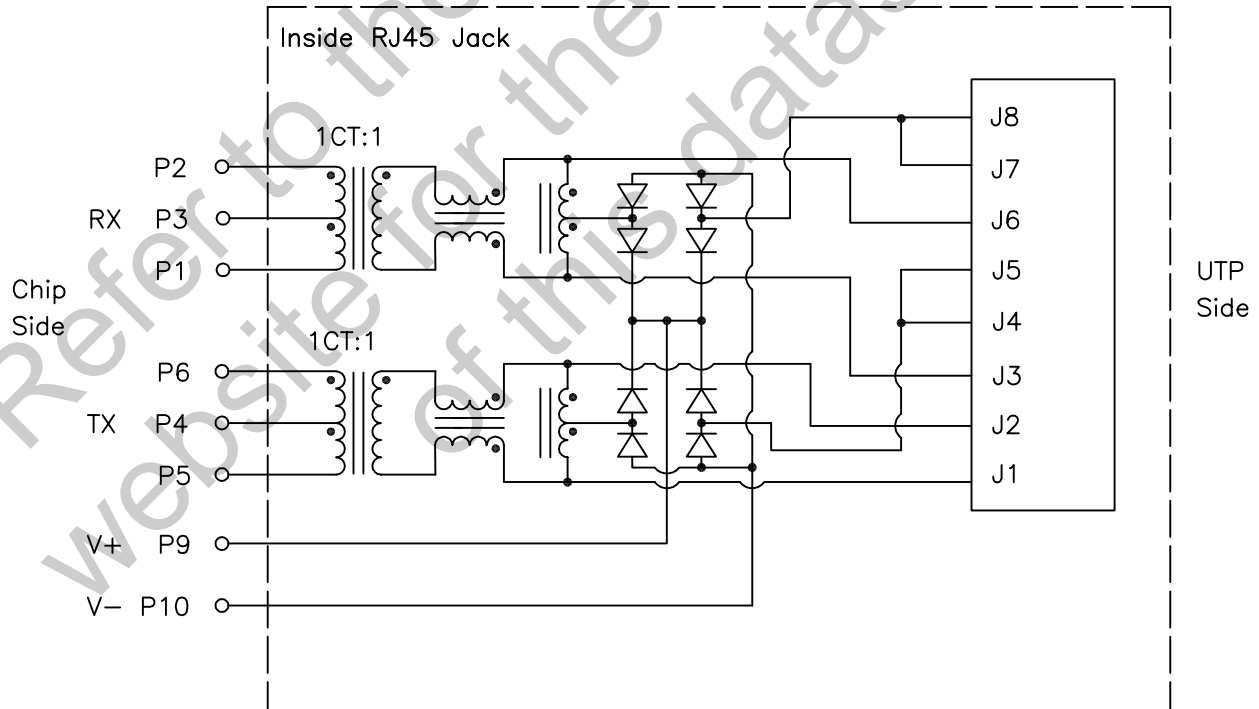
-14dB Minimum @45MHz ~ 60MHz

-12dB Minimum @60MHz ~ 80MHz

Common Mode Rejection: -35dB Minimum @1MHz ~ 100MHz

Crosstalk: -30dB Minimum @1MHz ~ 100MHz

Schematics



Part No.: HR901247A	Unless otherwise specified, Tolerance: .xx ±0.25	Rev: A	DRWN:	Date:
Dimensions in mm		Page 1/2	APPD:	Date:
Tel: (0760)22126805 22132332 • Fax: (0760)22132339 • E-Mail: sales@hanrun.com • http: www.hanrun.com				

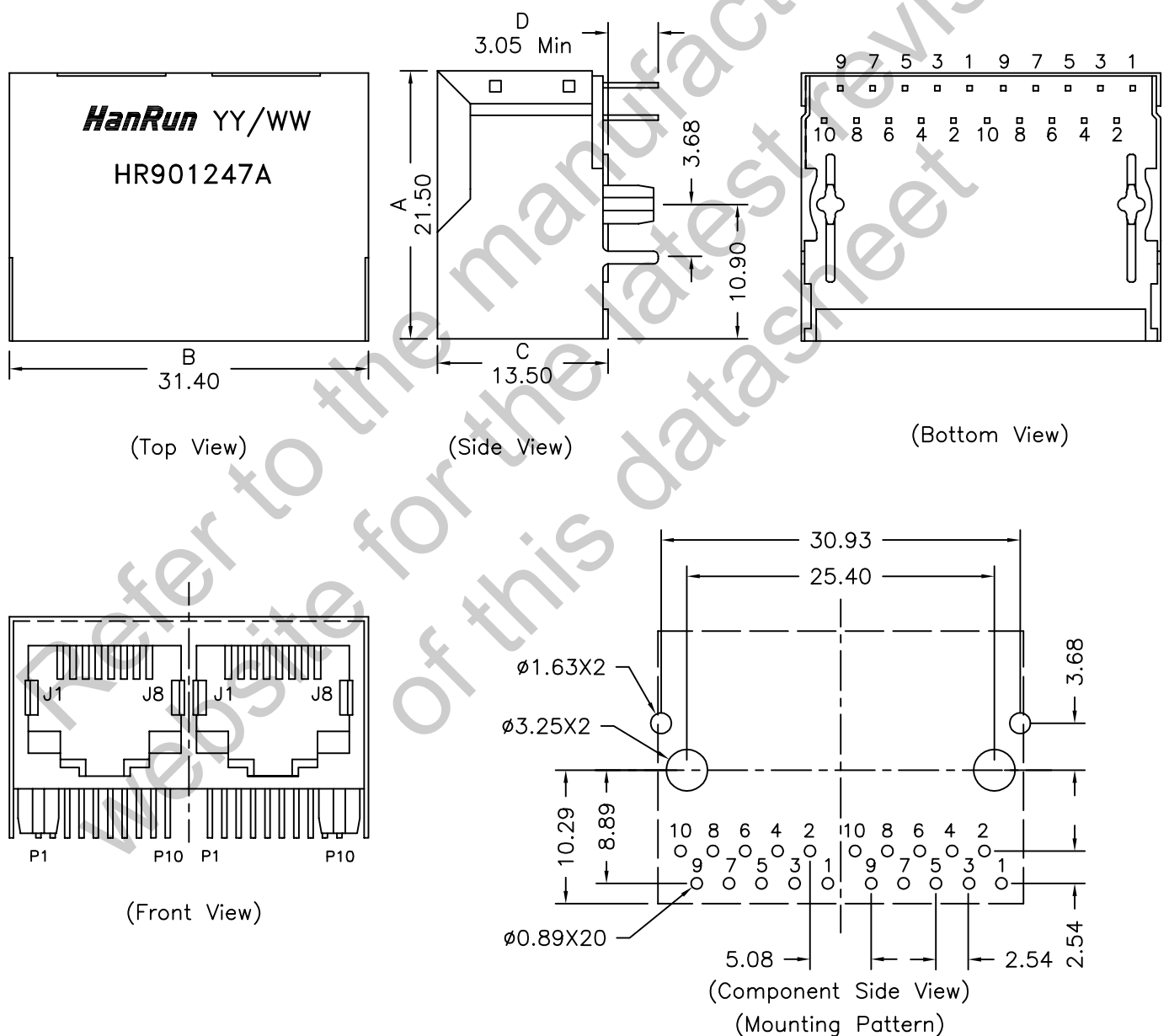
1x2 Ports RJ45 Connector
with Integrated Magnetics

Part Number

HR901247A (Shield Type: A)

- RoHS Compliant (Pb Free)
- Meets or Exceeds IEEE802.3af standards including 350uH Min OCL with 8mADC
- High performance for EMI suppression, Crosstalk, Return Loss and Consistent Electrical
- Minimum 1500Vrms isolation per IEEE802.3 requirement
- Minimize PCB space and Simplify PCB Layout
- Less magnetic components to be placed on PCB, higher reliability and yields

Mechanical Dimensions:



Part No.: HR901247A	Unless otherwise specified, Tolerance: .xx \pm 0.25	Rev: A	DRWN:	Date:
Dimensions in mm		Page 2/2	APPD:	Date:
Tel: (0760)22126805 22132332 • Fax: (0760)22132339 • E-Mail: sales@hanrun.com • http: www.hanrun.com				