

REVISIONS			
REV.	DESCRIPTION	ECN NO.	DATE
01	FIRST RELEASE	N/A	02/27/08

Refer to the manufacturer's website for the latest revision of this datasheet

PAGE 5 & 6 ARE FOR INTERNAL ONLY

TITLE
**MODULAR JACK, RJ45, SINGLE,
 THRU-HOLE, 100BASE-T(PoE PLUS)**

 **E & E Magnetic Products Ltd.**

DRAWING NO./MODEL MJFR0484	REV 01
--------------------------------------	------------------

SCALE DO NOT SCALE	PAGE 1	OF 6
------------------------------	------------------	----------------

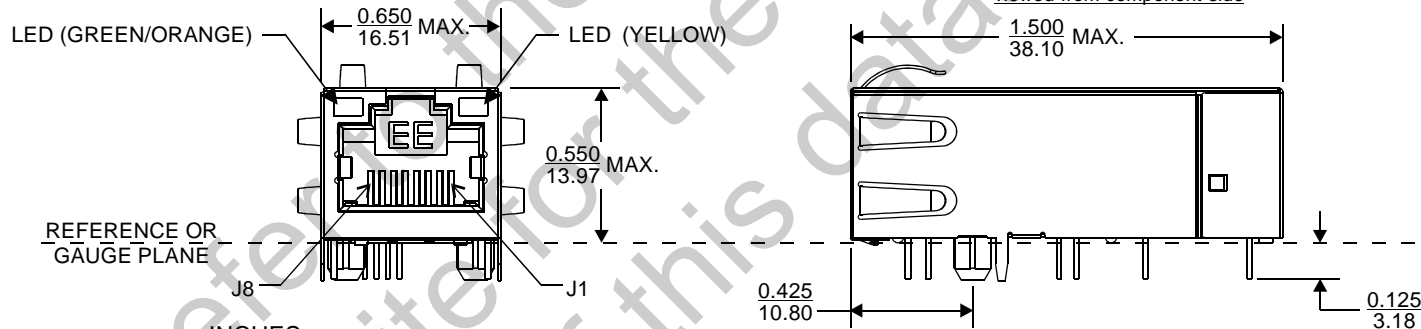
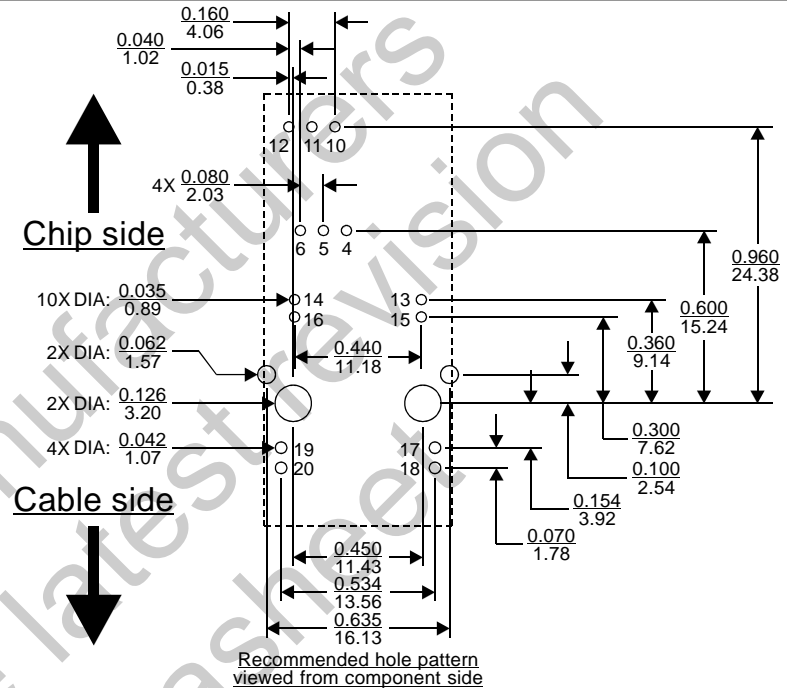
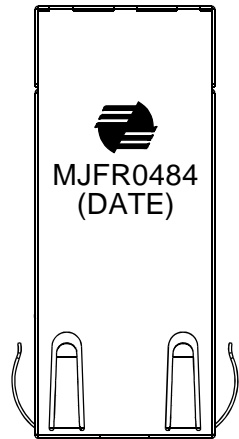
WARNING !
 ALL SHEETS OF THIS DOCUMENT ARE CONTROLLED DOCUMENTATION AND ARE NOT TO BE RELEASED OUTSIDE OF E&E OR ITS SUB-CONTRACTORS WITHOUT AUTHORIZATION.

UNLESS OTHERWISE SPECIFIED, DIMENSIONS ARE IN INCH/mm.

TOLERANCE ARE:

INCH	mm	ANGLE
.XXX ± .005	.XX ± .13	X.X ± 0.3
.XX ± .02	.X ± .5	X. ± 1

APPROVALS	DATE
DRAWN BY E. IP	02/27/08
PROJ. ENG J. YIP	02/27/08
APPROVED BY V. TSUI	02/27/08
Q.A. C.M. TSUI	02/27/08



1. DIMENSIONS ARE SPECIFIED IN $\frac{\text{INCHES}}{\text{mm}}$ WITH HIGHER PRECEDENCE IN INCHES.
2. UNLESS OTHERWISE SPECIFIED, ALL TOLERANCE ARE ± 0.010 / 0.25 .
3. "(DATE)" INCLUDES AT LEAST THE MANUFACTURING DATE CODE (IN YYWW FORMAT) PLUS TWO CHARACTER COUNTRY CODE.
4. 10 MICRO-INCH (0.25 μm) MIN. THICK GOLD PLATING OVER CONTACT AREA.
5. RoHS COMPLIANT PER EU DIRECTIVE 2002/95/EC (WITHOUT EXEMPTION OF SOLDER CONTENT).
6. PINS 1, 2, 3, 7, 8 & 9 ARE REMOVED.

MECHANICAL OUTLINE



E & E Magnetic Products Ltd.

DRAWING NO./MODEL

MJFR0484

REV

01

SCALE

DO NOT SCALE

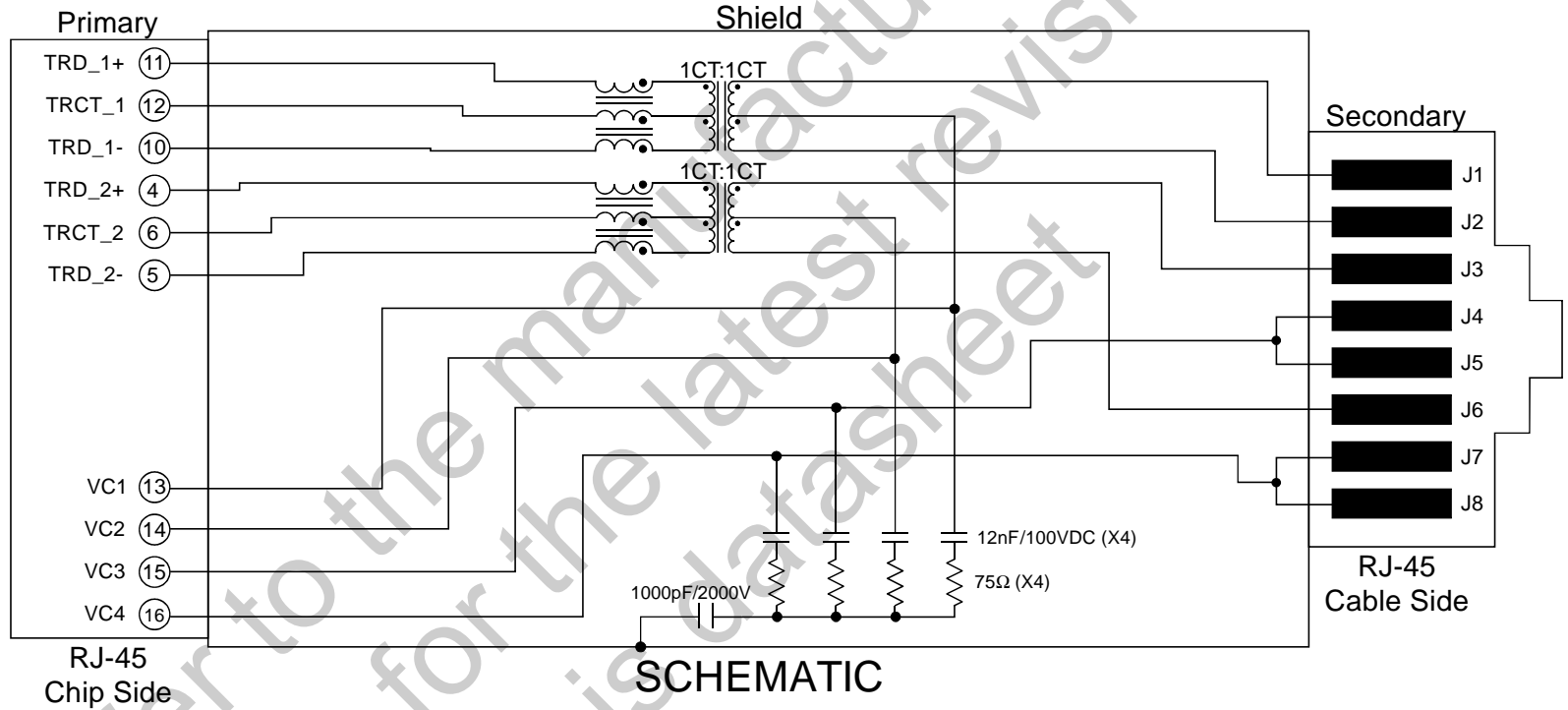
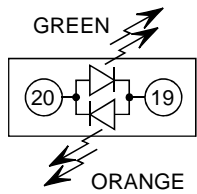
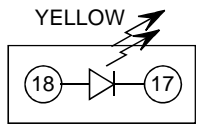
PAGE

OF

2

6

6



E & E Magnetic Products Ltd.

DRAWING NO./MODEL

MJFR0484

REV

01

SCALE

DO NOT SCALE

PAGE

3

OF

6

ELECTRICAL SPECIFICATION @25°C:

PARAMETERS	UNIT	(11-10):(J1-J2)	(4-5):(J3-J6)
Turns Ratio (Primary):(Secondary)	-	1CT:1CT ± 2%	1CT:1CT ± 2%
Polarity (Primary):(Secondary)	-	Per Schematic	Per Schematic
Inductance, Ls(Primary) @100kHz, 0.1Vrms, 24mADC	uH	350 Min	350 Min
Insertion Loss @0.1-100MHz	dB	1.0 Max	1.0 Max
Insertion Loss @100-125MHz	dB	1.7 Max	1.7 Max
Return Loss @0.5-40MHz	dB	18.0 Min	18.0 Min
8 Return Loss @40MHz-100MHz	dB	12-20Log(F/80) Min	12-20Log(F/80) Min
CMRR @0.1-100MHz (for refer. only)	dB	30.0 MIN	30.0 MIN
CM-DM Rejection Ratio @0.1-100MHz (for refer. only)	dB	25.0 MIN	25.0 MIN
8 Crosstalk @0.1-100MHz (between channels) (for refer. only)	dB	33-20Log(F/50) Min	
HIPOT (Primary):(Secondary)	Vrms	1500 Min	1500 Min
DCR (J1-J2) & (J3-J6)	Ω	1.0 Max	

7. OPERATING TEMPERATURE : 0°C TO +70°C.

8. "F" REPRESENTS THE TEST FREQUENCY SPECIFIED IN MHZ.

9. BALANCED DC LINE CURRENT CAPABILITY (J1,J2-13) & (J3,J6-14) : 720mADC MAXIMUM (CONTINUOUS).

10. BALANCED DC LINE CURRENT CAPABILITY (J4,J5-15) & (J7,J8-16) : 720mADC MAXIMUM (CONTINUOUS).

LED SPECIFICATION @20mA FORWARD CURRENT

Color	GREEN	ORANGE	YELLOW
Wavelength	565nm Typ	607nm Typ	590nm Typ
Forward Voltage	2.2V Typ	2.05V Typ	2.1V Typ



E & E Magnetic Products Ltd.

DRAWING NO./MODEL

MJFR0484

REV

01

SCALE

DO NOT SCALE

PAGE

4

OF

6