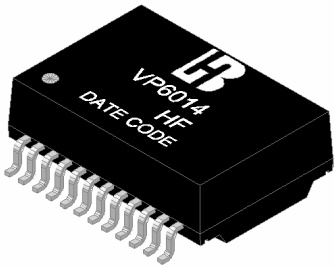


1000 BASE –T SINGLE PORT VOICE OVER IP MAGNETICS MODULE

P/N: VP6014 HF DATA SHEET

Feature

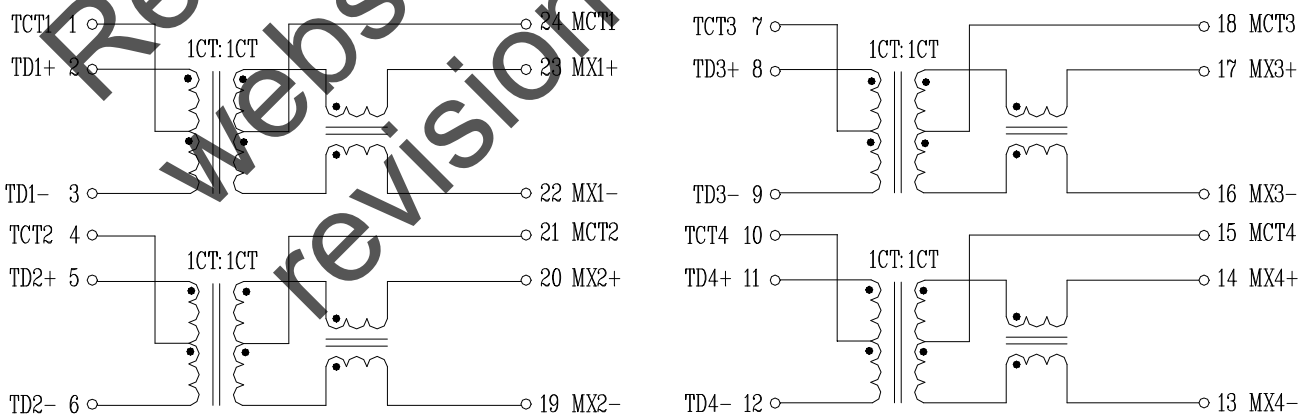


- IEEE 802.3at/ANSI X3.263 compliant performance.
- Suitable for End-span POE applications with 720mA current capability.
- Comply with RoHS & Halogen Free requirements.
- Operating temperature range: 0°C to +70°C.
- Storage temperature range: -25°C to +125°C.

Electrical Specifications @ 25°C							
Part Number	Turns Ratio (±5%)		OCL (uH Min) @100KHz/0.1V with 8mA DC Bias	Cross talk Attenuation (dB Min)			HI-POT (Vrms)
	TX	RX		30MHz	60MHz	100MHz	
VP6014 HF	1CT:1CT	1CT:1CT	350	-45	-40	-35	1500

Continue									
Part Number	Insertion Loss (dB Max)	Return Loss (dB Min)@Load 100Ω					DCMR (dB Min)		
		1-30MHz	40MHz	50MHz	60-80MHz	100MHz	30MHz	60MHz	100MHz
VP6014 HF	-1.0	-18	-14.4	-13.1	-12	-10	-43	-37	-33

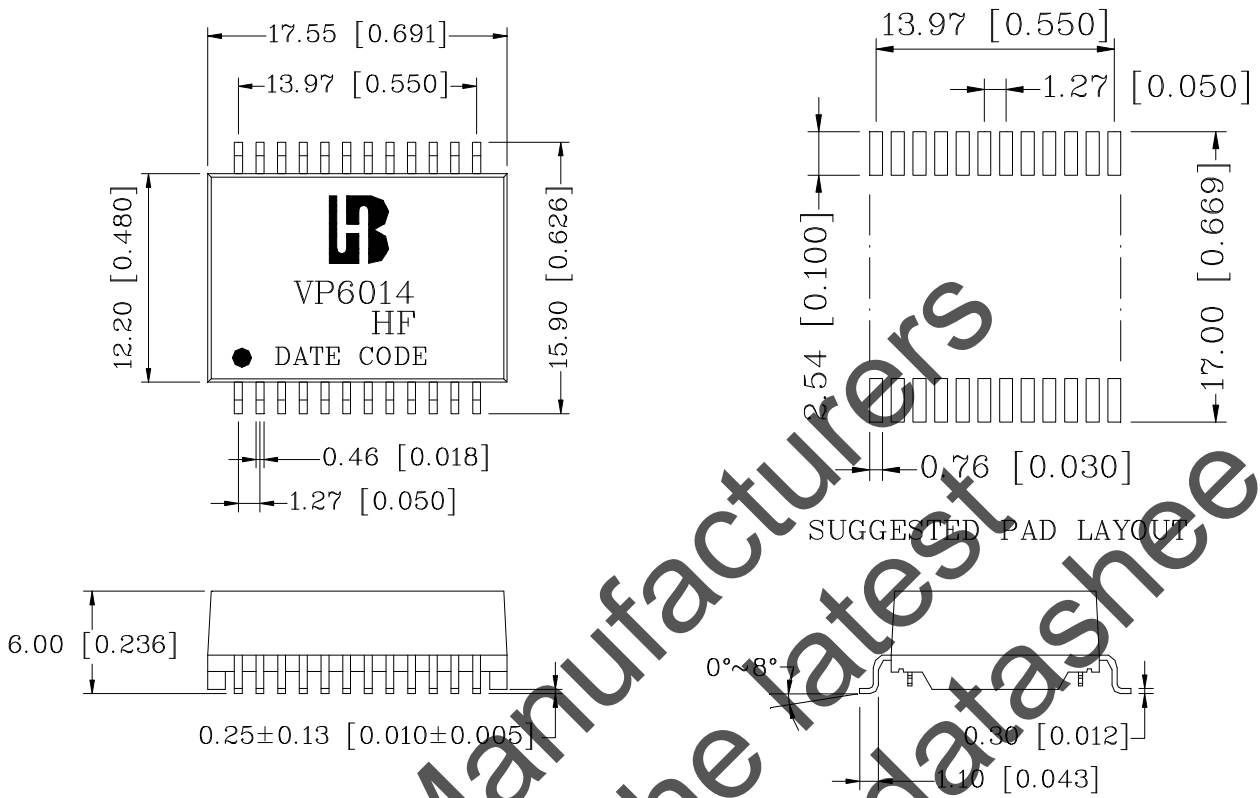
Schematic



1000 BASE -T SINGLE PORT VOICE OVER IP MAGNETICS MODULE

P/N: VP6014 HF DATA SHEET

Mechanical



Units: mm[inches] Tolerances: xx.x0±0.25[0.010]
0.xx±0.05[0.002]